

RF267

Refrigerator user manual

imagine the possibilities

Thank you for purchasing your Samsung product.
To receive more complete service,
please register your product at
www.samsung.com/register



Features of your new Refrigerator

KEY FEATURES OF YOUR NEW REFRIGERATOR

Your Samsung French Door Refrigerator comes equipped with various innovative storage and energy-efficient features.

- **Twin Cooling System**

The Refrigerator and Freezer have separate evaporators. Due to this independent cooling system, the Freezer and Refrigerator cool more efficiently.

Additionally, this separate air flow system prevents food odor of one compartment from seeping into other compartments.

- **Cool Select Pantry™**

The Cool Select pantry™ is a full-width drawer with adjustable temperature control.

- **Bigger & Wider Space**

The wide shelf area and pantry provide enough space for larger items like a pizza box, etc.

The wide freezer drawer also provides enough space for 2~3 turkeys.

- **Secure Auto Close**

The Secure Auto Close feature will automatically close a door that is slightly open.

- **Compact Ice Maker**

The Ice maker can dispense cubed or crushed ice.

- **Digital Display and Temperature Control**

- **Water Filtration System**

- **Door Alarm**

A helpful beeper alerts you if door is ajar.

- **Tilting Pocket**

The Tilting pocket can be used to store up to a 16" pizza.

- **Auto Pull Out Drawer**

The upper drawer in the freezer comes out automatically as you just open the freezer door.

- **Easy Handle**

Freezer door can be opened with less effort.

- **Energy Star**

Energy star labeled this product could save your energy costs.



For easy future reference, write the model and serial number down which can be found on the left side of the refrigerator.

Model # _____

Serial # _____











Safety Information

SAFETY INFORMATION

Before using your new Samsung French Door Refrigerator, please read this manual thoroughly to ensure that you know how to safely and efficiently operate the features and functions that your new appliance offers.

Because the following instruction covers various models, the characteristics of your Refrigerator may differ slightly from the Refrigerator described in this manual. If you have any question, contact us at 1-800-SAMSUNG or find help and information online at www.samsung.com.

What the icons and signs in this user manual mean :


	Hazards or unsafe practices that may result in severe personal injury or death .
	Hazards or unsafe practices that may result in minor personal injury or property damage .
	To reduce the risk of fire, explosion, electric shock, or personal injury when using your refrigerator, follow these basic safety precautions:
	Do NOT attempt.
	Do NOT disassemble.
	Do NOT touch.
	Follow directions explicitly.
	Unplug the power plug from the wall socket.
	Make sure the machine is grounded to prevent electric shock.
	Call the service center for help.

These warning signs are here to prevent injury to you and others.

Please follow them explicitly

Keep this manual in a safe place for future reference.

SEVERE WARNING SIGNS

-  **Do not plug several appliances into the same power receptacle.**
 - Large appliances draw a lot of power. Powering more than one appliance or machine from a single power source could cause overheating and cause a fire.

Make sure that the power plug is not kinked or damaged by the back of the Refrigerator.

- A damaged power plug may overheat and cause a fire.

Do not spray water directly into or on the outside of the Refrigerator/Freezer drawer.

- Water could get into the interior machine parts and cause electric shock.

Do not use aerosols near the Refrigerator.

- Aerosols used near the Refrigerator may cause an explosion or fire.

Safety Information

Do not put undue stress on the power cord or place heavy articles on it.

- Placing heavy articles on the power cord create the risk of explosion or fire.

Do not insert the power plug with wet hands.

- It may cause electric shock.

Do not put a container filled with water on the Refrigerator.

- If it spills, it may cause fire or electric shock.

Do not install the Refrigerator in a damp place or water closed places.

- Wet and/or deteriorated insulation of the internal electrical parts may cause electric shock or fire.

Do not store volatile or flammable substances in the Refrigerator.

- Storing benzene, thinner, alcohol, ether, LP gas and other such products may cause explosions.



Do not disassemble or repair the Refrigerator by yourself.

- You run the risk of fire, appliance malfunctions and/or personal injury. Call your nearest service center for help from a qualified service technician.



Unplug the Refrigerator before changing the interior light.

- Changing the light while the Refrigerator is plugged in may cause electric shock.

If you wish to dispose of the Refrigerator, remove the doors and seals before throwing it away.

- The doors(and their seals) can entrap a child if they climb into the Refrigerator. Make sure that the doors are off, and ensure that no one is suffocated by being locked inside.



The Refrigerator must be safely grounded

- Always make sure that you have grounded the Refrigerator before attempting to investigate or repair any part of the appliance. Power leakages can cause severe electric shock.

Never use gas pipes, telephone lines or other potential lightning attractors as an electrical ground.

- Improper use of the grounding plug can result in a risk of electric shock. If it is necessary to use an extension cord to power the Refrigerator, use only a 3-wire extension cord that has a 3-blade ground plug and a 3-slot receptacle that will accept the plug on the appliance. The marked rating of the extension cord should be AC 115V~120V, 10A, or more. Additionally, if a grounding adapter is used, make sure the receptacle box is also fully grounded.

CAUTION SIGNS



Use good judgment when filling the Refrigerator with food and drinks.

- In an overfull Refrigerator, heavy, fragile, bulky or breakable items may fall out and cause personal injury and/or damage to surrounding objects.

Do not put bottles or glass containers in the Freezer drawer.

- When the contents freeze and then expand, the glass may break and cause personal injury or leave dangerous glass shards in the Freezer.

If the electrical wall socket is loose, do not insert the power plug.

- There is a risk of electric shock or fire. Have the plug looked at by a licensed electrician.



Never unplug your Refrigerator by pulling on the power cord.

- Always grip the power cord firmly and pull straight out from the outlet. Yanking or pulling on the power cord may cause a short-circuit, fire and/or electric shock.
- A damaged power cord must be replaced by the manufacturer, a certified service agent or qualified service personnel.

Do not store articles on the top of the appliance.

- When you open or close the door, the articles may fall and cause personal injury and /or damage to surrounding objects.

Do not store pharmaceutical products, scientific materials and temperature-sensitive products in the refrigerator.

- Products that require exact temperature controls should not be stored in the Refrigerator.



**Do not allow children to climb, stand or hang on shelves and handles of the Refrigerator. They could damage the Refrigerator and seriously injure themselves.
Do not sit on the freezer door. The door may break.
Do not allow children to climb into the freezer basket.**



If you notice a chemical or burning plastic smell or see smoke, unplug the Refrigerator immediately and contact your Samsung Electronics Service Center.



After your Refrigerator is in operation, do not touch the cold surfaces in the Freezer compartment. Particularly when hands are damp or wet, skin may adhere to these extremely cold surfaces.

- Skin may stick to the surface and you may get frostbite.

Do not put your hands under the appliance.

- Any sharp edges may cause personal injury.

Never put fingers or other objects into the water dispenser hole or ice chute.

Safety Information

- It may cause personal injury and/or material damage.



If the Refrigerator will not be used for a long period of time (for example, over several months), unplug the power from the wall.

- Over time, deterioration in the power cord insulation may cause fire.

Do not use a wet or damp cloth when cleaning the plug.



Remove any dust or foreign matter from the power plug pins.

- A Dirty power plug can increase the risk of fire.

If the Refrigerator is disconnected from the power supply, you should wait for at least five minutes before plugging it back in.

Do not place the equipment directly in sunlight.



The appliance must be positioned for easy access to power source.

If the power cord is damaged, it must be replaced by the manufacturer, a certified service agent or qualified service personnel.

If you have a long vacation planned, empty the Refrigerator and turn it off.

Wipe excess moisture from the inside and leave the doors open to keep odor and mold from developing.

Service Warranty and Modification



- Any changes or modifications performed by a 3rd party on this finished appliance is not covered under Samsung warranty service, nor can Samsung be responsible for safety issues that result from 3rd party modifications.

Children can get trapped inside Refrigerators.



Before you throw away your old Refrigerator or Freezer, make sure that you;

- Take off the doors.
- Leave all shelves in places so that children may not easily climb inside and shut the door while they are inside.

This appliance is not intended for use by small children or infirm persons without capable, adult supervision. Small children should be supervised when using the appliance.



Contents

SETTING UP YOUR FRENCH DOOR REFRIGERATOR

08

- 08 Getting ready to install the refrigerator
- 09 Removing the refrigerator doors
- 11 Disassemble the freezer drawer
- 12 Reattaching the refrigerator doors
- 14 Assemble the freezer drawer
- 15 Adjusting the doors
- 16 Making minor adjustments between doors
- 17 Adjusting the freezer drawer level
- 18 Checking the water dispenser line
- 19 Installing the water line

OPERATING YOUR SAMSUNG FRENCH DOOR REFRIGERATOR

21

- 21 Using the control panel
- 22 Using the digital display
- 23 Controlling the temperature
- 24 Using the ice and cold water dispenser
- 26 Parts and Features
- 27 Storing food
- 28 Using the Cool Select Pantry™
- 28 Using the tilting pocket
- 29 Removing the refrigerator accessories
- 30 Using the doors
- 31 Removing the freezer accessories
- 32 Cleaning the refrigerator
- 33 Changing the interior lights
- 34 Changing the water filter

TROUBLESHOOTING

39

- 39 Troubleshooting

WARRANTY

40

- 40 Warranty

Setting up your French Door Refrigerator

GETTING READY TO INSTALL THE REFRIGERATOR

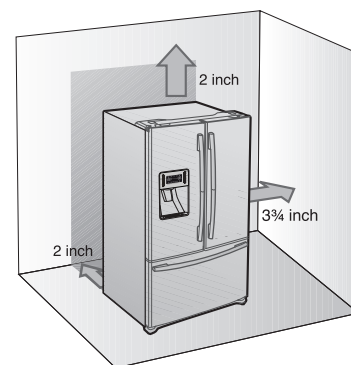
Congratulations on your purchase of the Samsung French Door Refrigerator. We hope you enjoy the state-of-art features and efficiencies that this new appliance offers.

Selecting the best location for the Refrigerator

- A location with easy access to the water supply.
- A location without direct exposure to sunlight.
- A location with level (or nearly level) flooring.
- A location with enough space for the Refrigerator doors to open easily.
- Allow sufficient space for air circulation of the internal cooling system.

If the Refrigerator does not have enough space, the internal cooling system may not work properly.

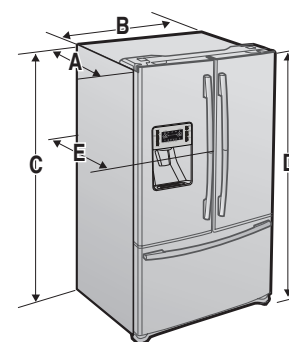
If your refrigerator has an ice maker, allow extra space at the back for the water line connections. When you install the refrigerator next to a fixed wall, minimum clearance is 3 3/4" (95mm) between the refrigerator and wall to allow the door to swing open.



First thing! Make sure that you can easily move your Refrigerator to its final location by measuring doorways (both width and height), thresholds, ceilings, stairways, etc.

The following chart details the exact height and depth of Samsung French Door Refrigerator.

Model	Depth "A"	Width "B"	Height "C"	Overall Height "D"	Depth "E"
RF267	29-1/8" (83.6cm)	35-3/4" (90.8cm)	68-5/8" (174.4cm)	69-3/4" (177.4cm)	35-5/8" (90.5cm)

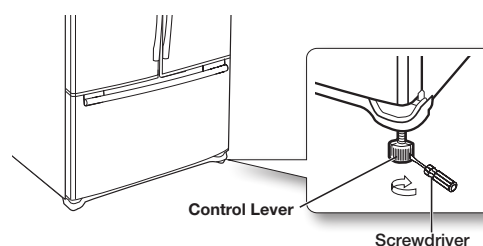


- Allow clearance to the right, left, back and top when installing. This will help reduce power consumption and keep your energy bills lower.
- **Do not install the Refrigerator where the temperature will go below 10 °C.**

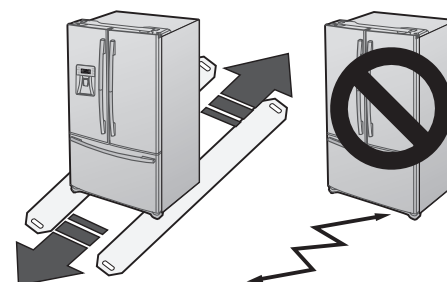
When moving your refrigerator

To prevent floor damage be sure the front levelling legs are in the up position (above the floor). Refer to 'Levelling the refrigerator' in the manual.

To protect the finish of the flooring, place the protection sheet such as packing carton under the refrigerator.



CAUTION When installing, servicing or cleaning behind the refrigerator, be sure to pull the unit straight out and push back in straight after finishing.



SETTING UP THE REFRIGERATOR

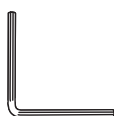
Now that you have your new Refrigerator installed in place, you are ready to set up and enjoy the features and functions of the appliance. By completing the following steps, your Refrigerator should be fully operational.

1. Place the Refrigerator in an appropriate location with reasonable clearance between the wall and the Refrigerator. Refer to installation instructions in this manual.
2. Once the Refrigerator is plugged in, make sure the interior light comes on when you open the doors.
3. Set the Temperature control to the coldest temperature and wait for an hour. The Freezer will get slightly chilled and the motor will run smoothly.
4. After powering the Refrigerator, it will take a few hours to reach the appropriate temperature. You can store food and drinks in the Refrigerator after the temperature is sufficiently cool.

 Check the accessory list below.



Water filter
(DA29-00002B)



Hex wrench
(DA80-00002C)



Fastener
(DA60-00143B)



Compression fitting
(DA62-00305A)



Compression nut
(DA74-00070B)

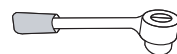
REMOVING THE REFRIGERATOR DOORS

If the Refrigerator is too large to pass through your doorway easily, you can remove the refrigerator doors.

Tools you will need



Philips screwdriver



10mm Socket Wrench



Allen wrench(5mm)



Flat-blade screwdriver

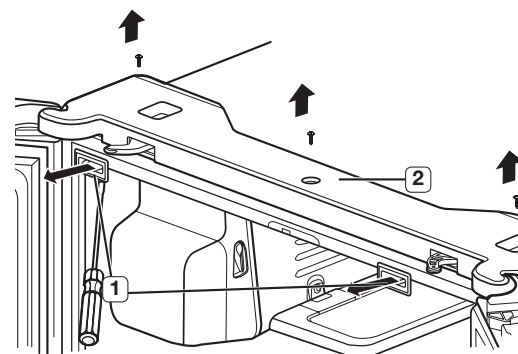


Pliers

Disassemble the Refrigerator doors

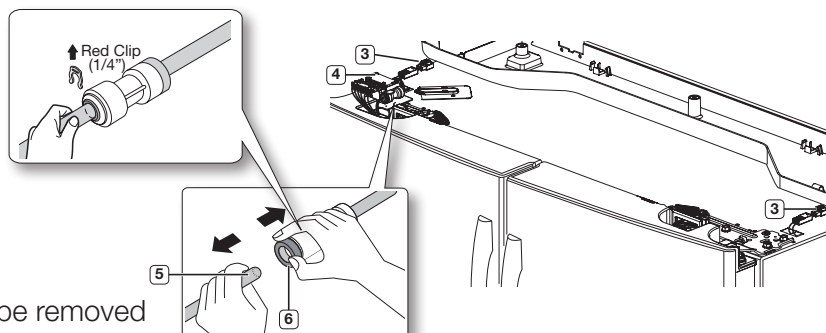
1. With the door opened, remove the Top Table cap (1) with a Flat head screwdriver, and close the door.

Remove the 3 screws holding down the Top Table and remove the Top Table(2).



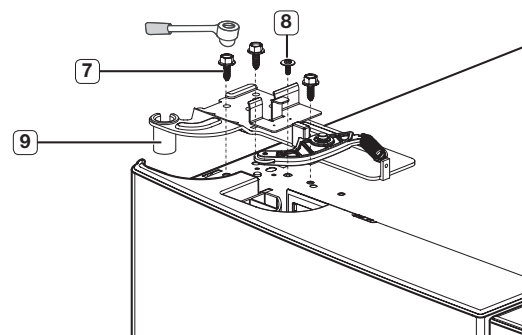
Setting up your French Door Refrigerator

2. Disconnect two connectors (3) at each side of the top cap and the one connector (4) on left side door. Remove the tube (5) with pressing the dark gray color part (6) of the water line coupler.

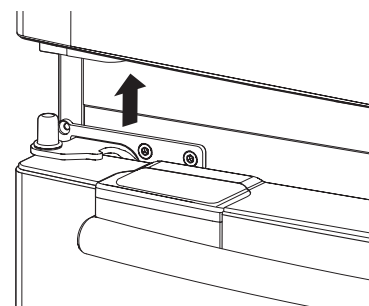


CAUTION If a red clip is on the coupler, it must be removed before removing the tube.

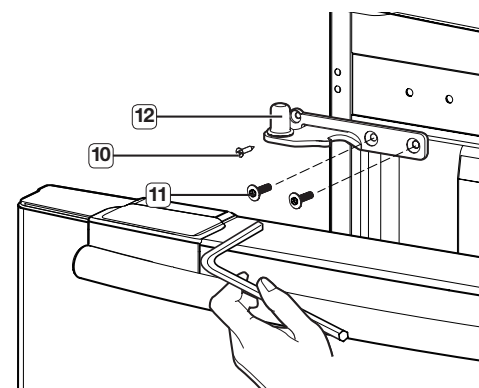
3. Remove the three hex head bolts (7) attached to the upper left and right door hinges with a Wrench (10mm).
With a Philips head screwdriver, remove the ground screw (8) attached to the upper left and right door hinges.
Remove the upper left and right door hinges (9).



4. Lift the door straight up to remove.

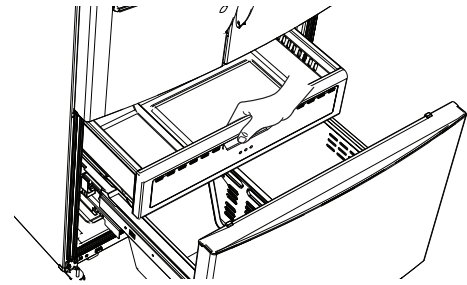


5. With a Philips head screwdriver, remove the two screws (10) attached to the lower left and right door hinges.
With an Allen Wrench (5mm), remove the two hex head bolts (11) attached to the lower left and right door hinges.
Remove the lower left and right door hinges (12).

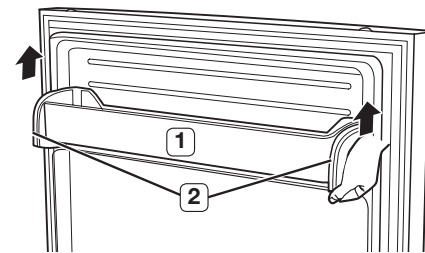


DISASSEMBLE THE FREEZER DRAWER

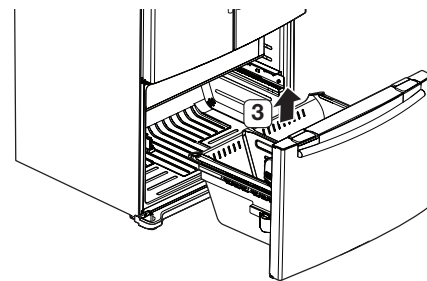
1. Push the upper drawer until it reaches to the cabinet rear wall.



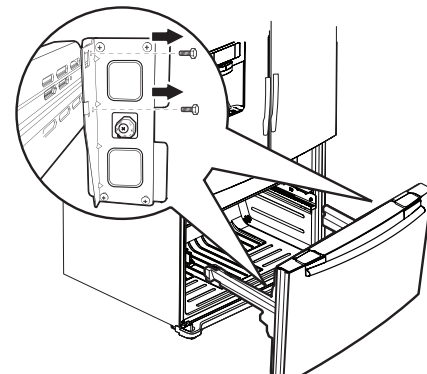
2. Remove the tilting pocket(1) by pulling on both brackets(2) upward at the same time.



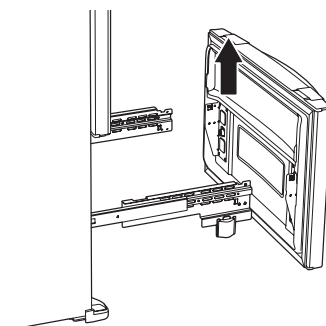
3. Take out the lower basket(3) by lifting the basket up from rail system.



4. Remove four 10mm hex-head bolts from both sides.



5. Lift the freezer door up from the rails.

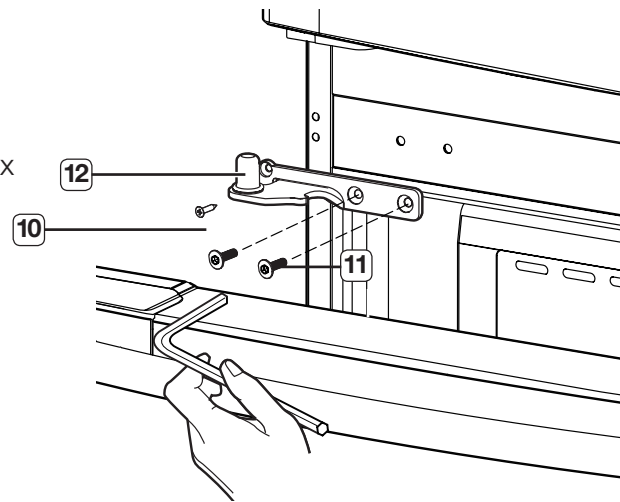


Setting up your French Door Refrigerator


REATTACHING THE REFRIGERATOR DOORS

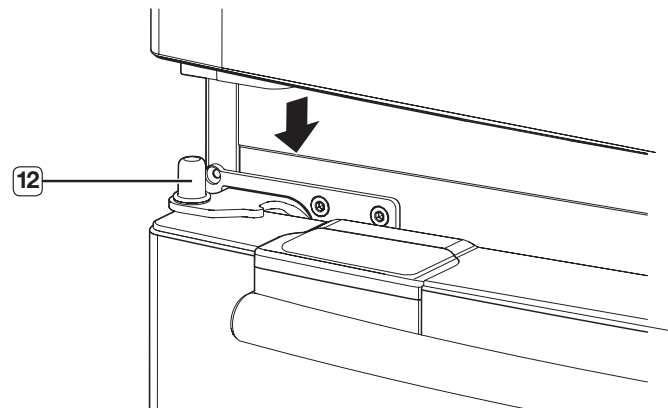
Assemble the Refrigerator doors

1. Reattach the lower left and right door hinges(12).
With a Philips head screwdriver, insert and tighten the two screws(10) into the lower left and right door hinges.
With a Allen Wrench(5mm), insert and tighten the two hex head bolts(11) into the lower left and right door hinges.



2. Place the hole in the bottom of the door over the lower hinge(12).

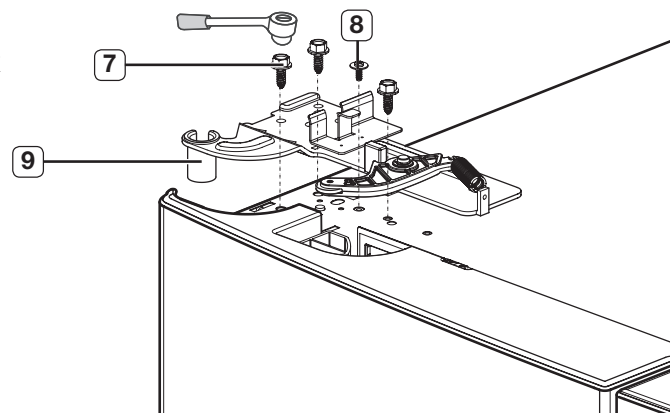
 Be careful not to miss the hinge cap because it can be easily taken off.



3. Insert the upper hinges(9) into the holes at the top of the doors.

With a Wrench(10mm), insert and tighten the 3 hex head bolts(7) into the upper left and right door hinges.

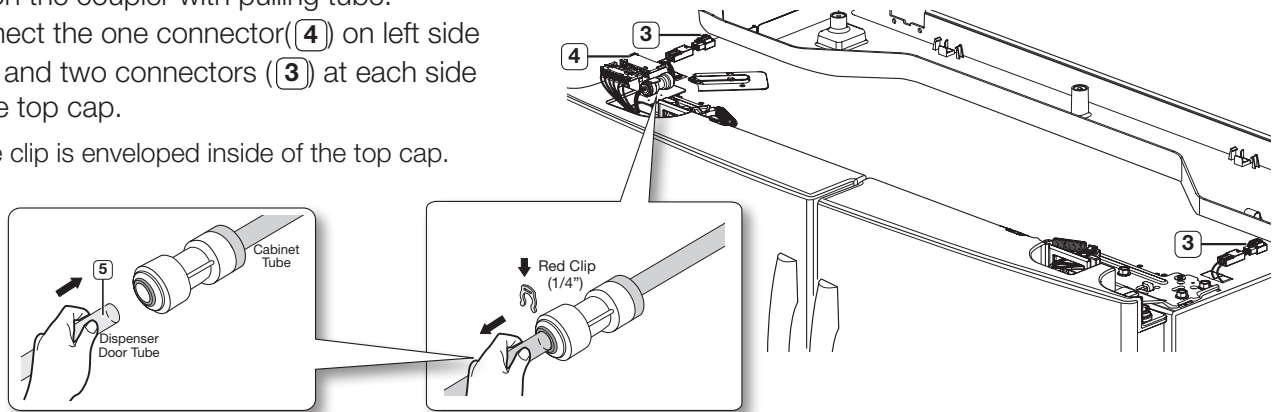
With a Philips head screwdriver, insert and tighten the ground screw(8) into the upper left and right door hinges.




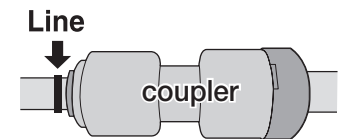
REATTACHING THE REFRIGERATOR DOORS

4. Connect the water line (5) and then insert a clip on the coupler with pulling tube. Connect the one connector (4) on left side door and two connectors (3) at each side of the top cap.


 The clip is enveloped inside of the top cap.

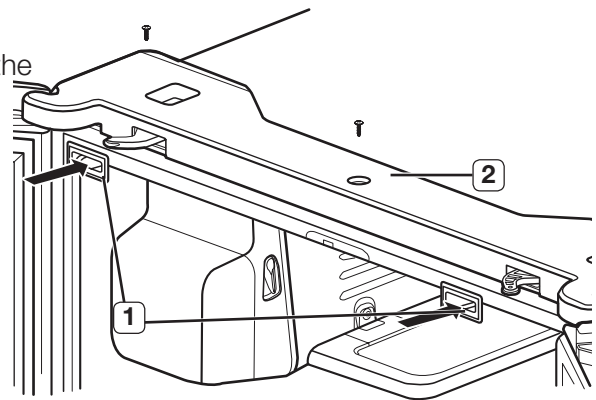


CAUTION  The water line (5) must be fully inserted to the marked line to prevent water leakage from the dispenser.



5. Position the Top Table (2) in place. With a Philips head screwdriver, insert and tighten the 3 screws into the Top Table. With the door opened, reinsert the Top Table cap (1) and close the doors.

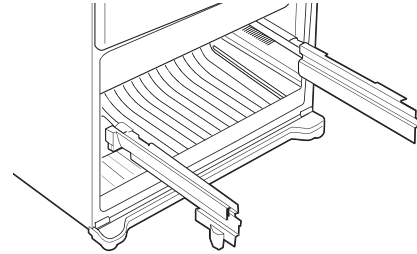
 When reattaching the top table, make sure that the wires are not pressed or damaged by the top table.



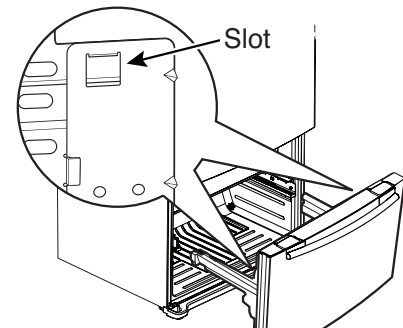
Setting up your French Door Refrigerator

ASSEMBLE THE FREEZER DRAWER

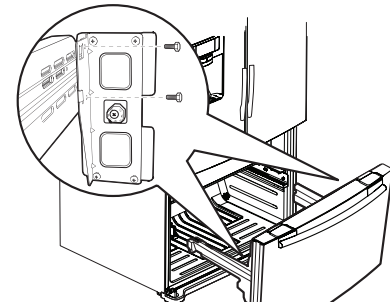
1. Pull out the rails to the full length on each side of the cabinet evenly.



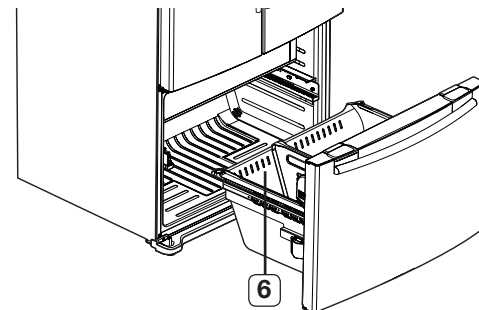
2. Hang the freezer door front onto open slots on the sides.



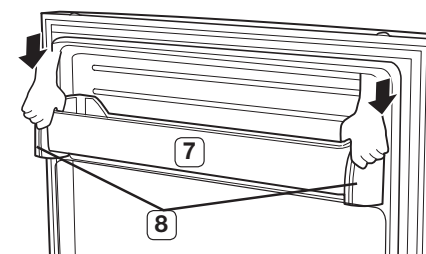
3. Tighten four 10mm hex-head screws completely.



4. With the drawer pulled out fully, insert the lower basket (6) into the rail system.



5. Hook the ends of the tilting pocket (7) into both brackets (8), and push down until they lock into place.

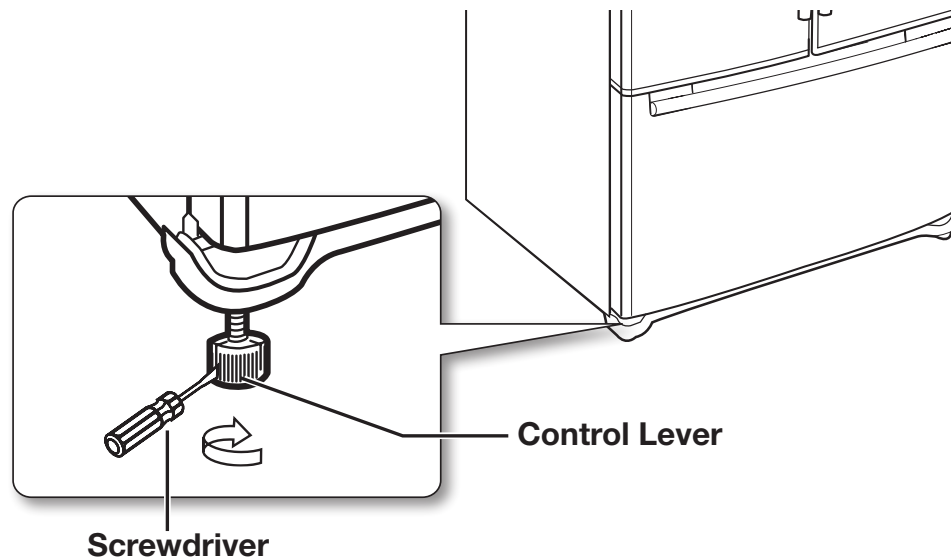


ADJUSTING THE DOORS

Now that the doors are back on the Refrigerator, you want to make sure the Refrigerator is level so that you can make final adjustments. If the Refrigerator is not level, it will not be possible to get the doors perfectly even.

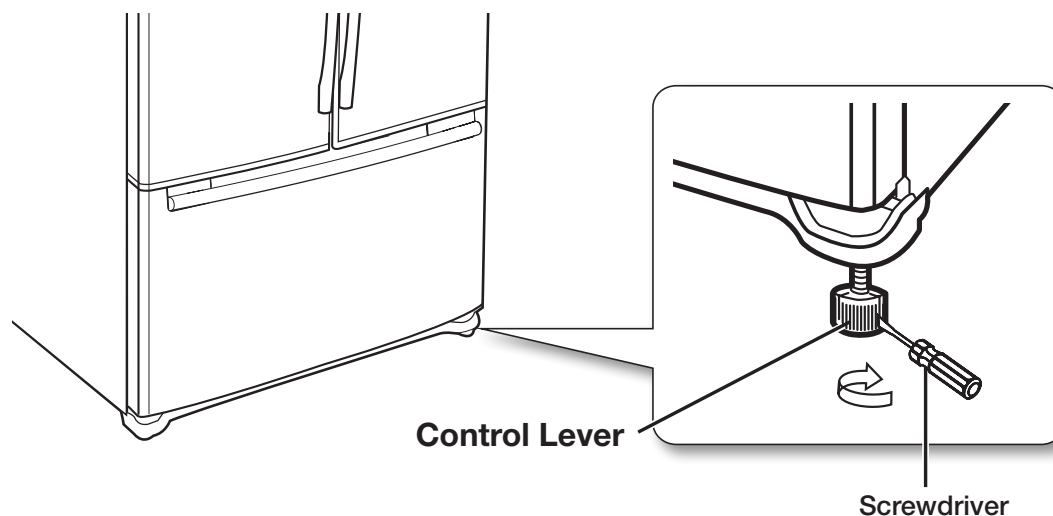
When the Left door is lower than the Right door.


Insert a flat-blade screwdriver into a notch on the left control lever, turn it clockwise or counter-clockwise to level the left door.



When the Left door is higher than the Right door.

Insert a flat-blade screwdriver into a notch on the right control lever, turn it clockwise or counter-clockwise to level the right door.

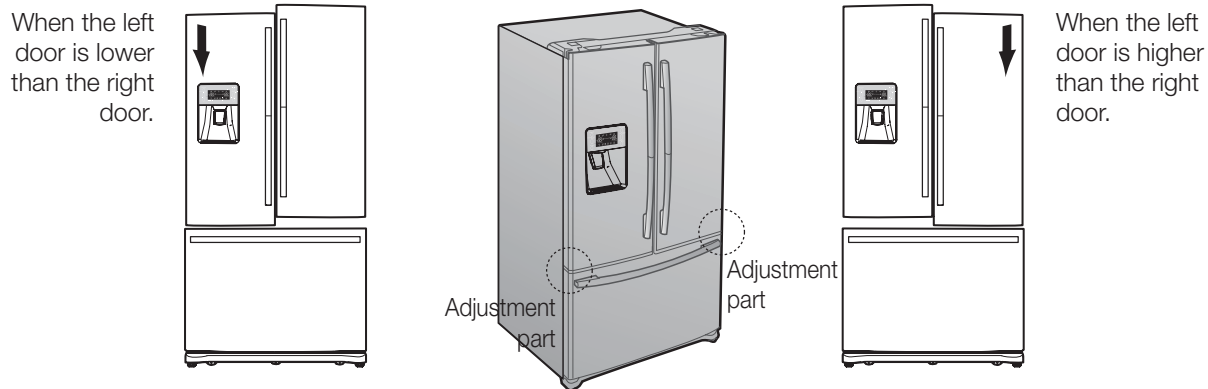


 We do not recommend making small adjustments with the control lever. Instead, refer to the next page for the best way to make minor adjustments to the doors.

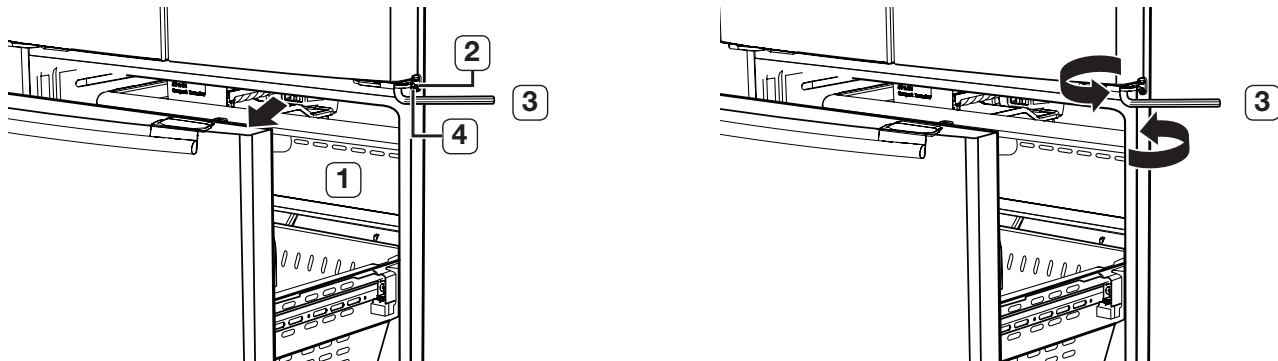
Setting up your French Door Refrigerator

MAKING MINOR ADJUSTMENTS BETWEEN DOORS

Remember a level Refrigerator is necessary for getting the doors perfectly even. If you need help, review the previous section on leveling the Refrigerator.

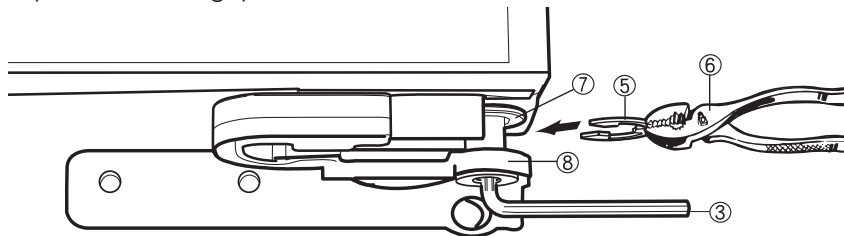



1. If you open the drawer (1), you can see the lower hinge (2).
2. Insert the supplied hex wrench (3) into the shaft (4) of the lower hinge.
3. Please adjust the height by turning the hex wrench (3) clockwise (↻) or counter-clockwise (↺).



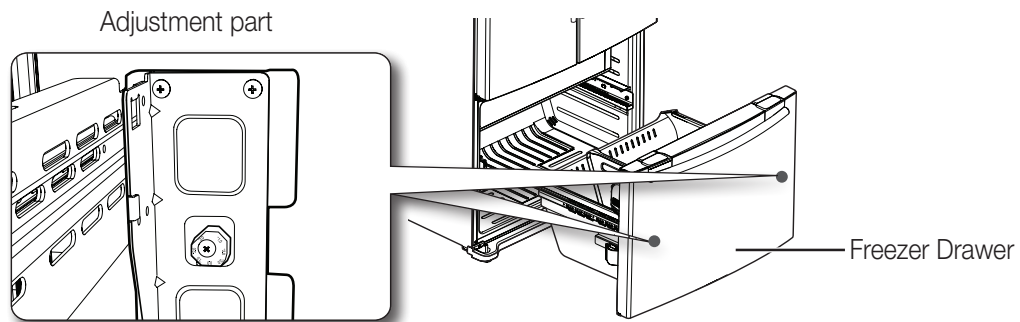
 when you turn the hex wrench counter-clockwise (↺), the door will move up.

1. After adjusting the doors, please insert the supplied fastener-ring (5) using a pair of pliers (6) in the gap between the hinge-grommet (7) and the lower hinge (8). The number of fastener-rings you'll need to insert depends on the gap.

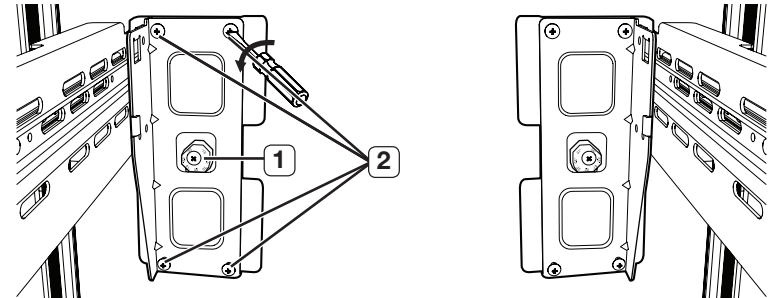


 Two fastener-rings are enclosed with the refrigerator.
The thickness of each fastener-ring is 0.04 inch.

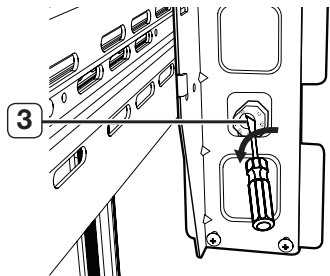
ADJUSTING THE FREEZER DRAWER LEVEL



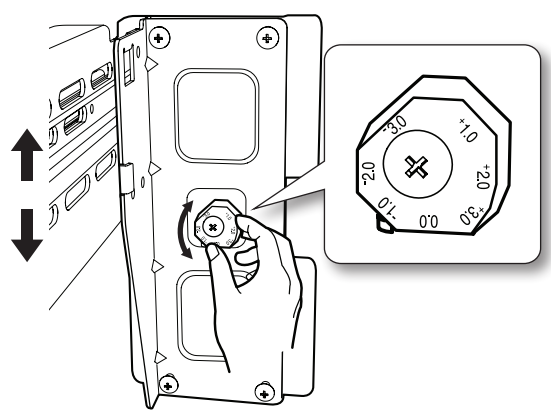
1. Locate the height-adjuster (1) in the freezer drawer.
Unscrew the four Phillips screws (2) slightly to loosen the door.



2. Loosen the controller screw(3) with a Phillips screwdriver.



3. Find the best level to align the door slope.



Example) The slope is about 2mm (0.08inch) as shown below.

The diagram shows a 'Reference plane' and a 'Slope' indicated by a double line with a vertical arrow. It shows the height adjuster being rotated from a position corresponding to 0.0 to a position corresponding to +2.0. A second diagram shows the adjuster at +2.0, with the slope reduced.

- Rotate the Height Adjuster to +2.0 to reduce the door slope.

Setting up your French Door Refrigerator

CHECKING THE WATER DISPENSER LINE


A water dispenser is one of the helpful features on your new Samsung Refrigerator. To help promote better health, the Samsung water filter removes unwanted particles from your water. However, it does not sterilize or destroy microorganisms. You may need to purchase a water purifying system to do that.

In order for the ice maker to operate properly, a water pressure of 20~125 psi (pound per square inch) is required.

Under normal conditions, a 170 cc (5.75 oz.) paper cup can be filled in 10 seconds.

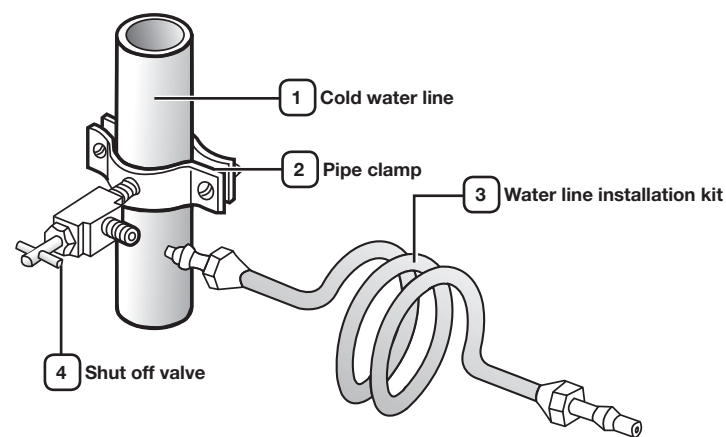
If the Refrigerator is installed in an area with low water pressure (below 20psi), you can install a booster pump to compensate for the low pressure.

Make sure the water storage tank inside the Refrigerator is properly filled. To do this, press the water dispenser lever until the water runs from the water outlet.

 Water line installation kits are available at extra cost from your dealer. We recommend using a water supply kit that contains copper tubing.

Connecting to the water supply line

1. First, shut off the main water supply line and turn the ice-maker off.
2. Locate the nearest cold, drinking water line.
3. After connecting the water supply to the water filter, turn your main water supply back on and flush four or more gallons into a bucket to clear and prime the water filter.

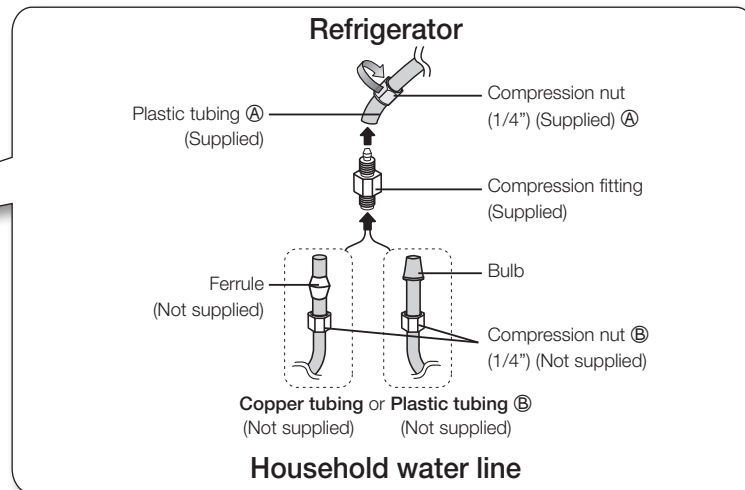
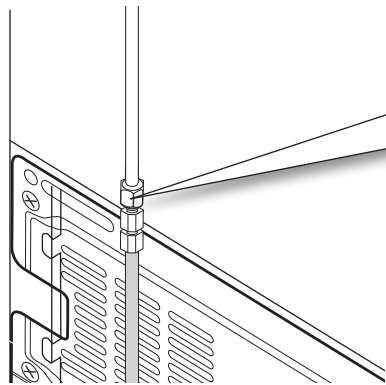


INSTALLING THE WATER LINE

Connecting the water line to the Refrigerator.

There are several items that you need to purchase to complete this connection. You may find these items sold as a kit at your local hardware store.

- 1/4" compression nut
- plastic tubing
- copper tubing
- ferrule



1. Slip the compression nut (A) through the supplied plastic tubing (A).
2. Tighten the compression nut (A) onto the 1/4" compression fitting.
 - If you are using copper tubing, slip the compression nut (B) (not included) and ferrule (not included) on copper tubing (not included) as shown.
 - If you are using plastic tubing (B), insert the molded end(Bulb) of the plastic tubing (B) into the compression fitting.



CAUTION Do not use without the molded end(Bulb) of the plastic tubing (B).

3. Tighten the compression nut (B) onto the compression fitting. Do not over-tighten the compression nut (B).
4. Turn water on and check for any leakage.

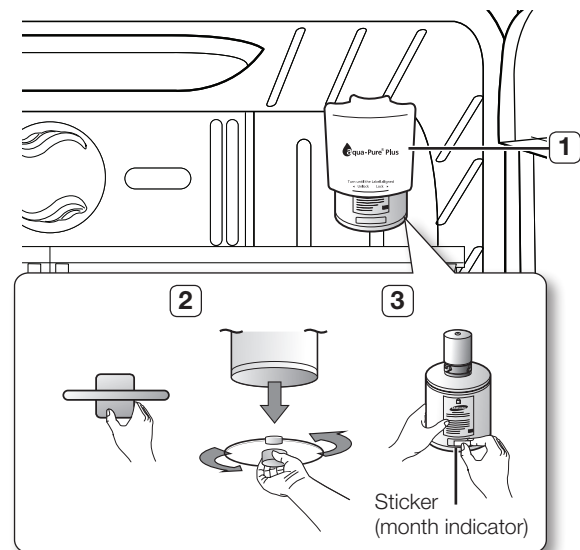


Only connect the water line to a drinkable water source.

If you have to repair or disassemble the water line, cut off 1/4" of the plastic tubing to make sure you get a snug, leak-free connection.

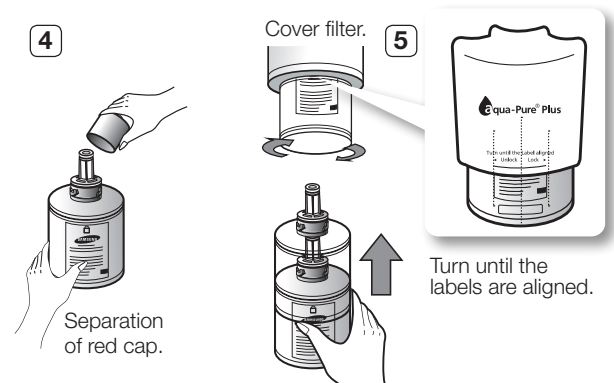
Installing the water filter.

1. Remove the water filter cover(1)
2. Remove the fixed cap by turning it counter clockwise. Keep the cap in a safe place for later use if you don't use the filter.
3. Remove the water filter from the box and put a replacement indicator sticker on the filter as shown. Place a sticker on the filter that dates six months in the future. For example, if you install the water filter in March, put the "SEP" sticker on the filter to remind you to replace it in September. That way you'll know when it is time to replace the filter. Normally, a filter life is about 6 months.



Setting up your French Door Refrigerator

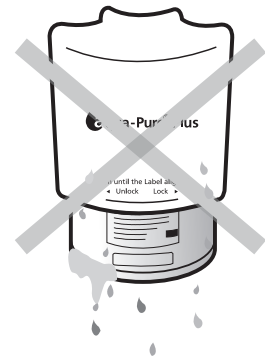
4. Remove the filter cap and insert the filter into the filter housing.
5. Slowly turn the water filter 90° clockwise to align with the printing mark on the cover, locking the filter in position. Make sure to align the water filter label mark with center of cover filter printing as illustrated. Remember, do not over-tighten.




 You should remove the right side upper glass shelf before installing water filters.

Removing any residual matter inside the water supply line after installing the water filter.

1. Turn ON the main water supply & turn OFF the valve to the water supply line.
2. Run water through the dispenser until the water runs clear (approx. 6-7 minutes). This will clean the water supply system and remove air from the lines.
3. Additional flushing may be required in some households.
4. Open the Refrigerator door and make sure there are no water leaks coming from the water filter.



 Be sure to flush the dispenser thoroughly, otherwise water may drip from the dispenser. This means that there is still air in the line.

Reverse Osmosis Water Supply

IMPORTANT : The pressure of the water supply coming out of a reverse osmosis system going to the water inlet valve of the refrigerator needs to be between 35 and 120 psi (241 and 827 kPa).

If a reverse osmosis water filtration system is connected to your cold water supply, the water pressure to the reverse osmosis system needs to be a minimum of 40 to 60 psi (276 to 414 kPa.)

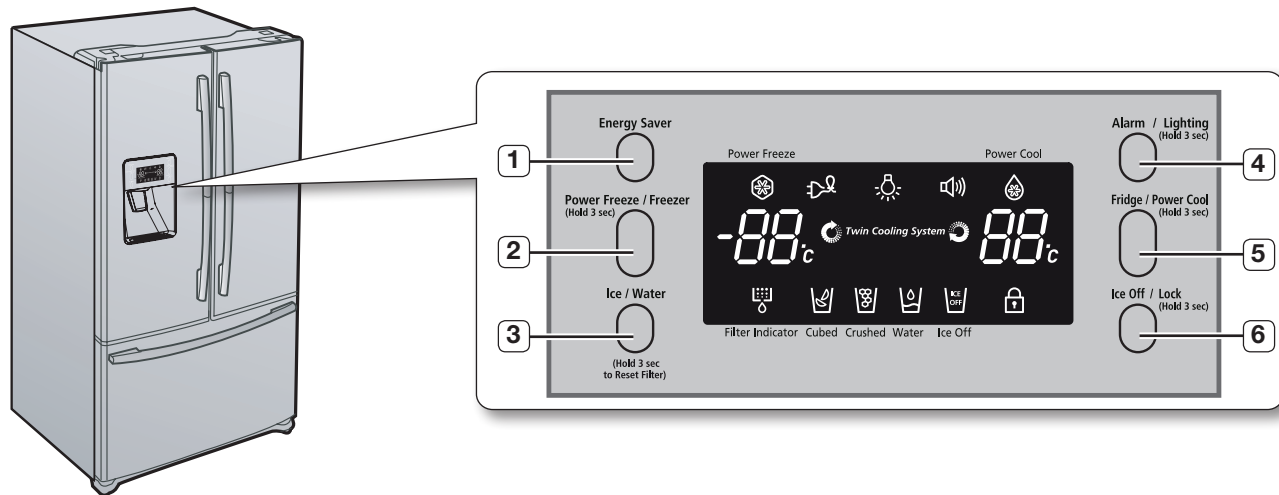
If the water pressure to the reverse osmosis system is less than 40 to 60 psi (276 to 414 kPa):

- Check to see whether the sediment filter in the reverse osmosis system is blocked. Replace the filter if necessary.
- Allow the storage tank on the reverse osmosis system to refill after heavy usage.
- If your refrigerator has a water filter, it may further reduce the water pressure when used in conjunction with a reverse osmosis system. Remove the water filter.

If you have questions about your water pressure, call a licensed, qualified plumber.

Operating your SAMSUNG French Door Refrigerator

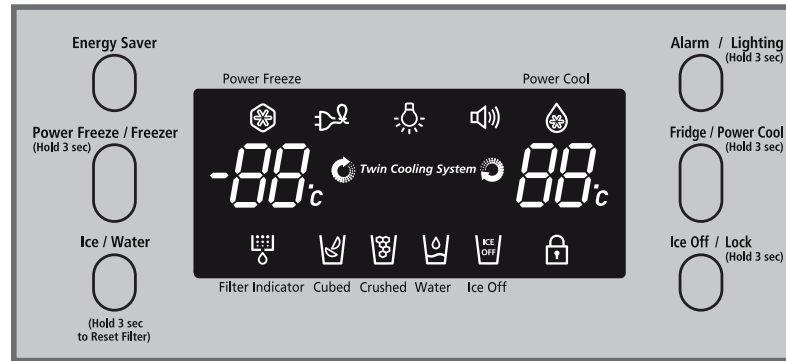
USING THE CONTROL PANEL



- | | |
|-----------------------------------|--|
| (1) Energy Saver Button | For better energy efficiency, press the Energy Saver button. If condensation occurs on the doors, turn the Energy Saver function off. |
| (2) Freezer / Power Freeze Button | Press the Freezer / Power Freeze button to set the Freezer to your desired temperature. You can set the temperature between -14°C and -25°C.
Press and hold the Freezer / Power Freeze Button for 3 seconds, to speed up the time needed to freeze products in the Freezer. It can be helpful if you need to quickly freeze easily spoiled items or if the temperature in the Freezer has warmed dramatically (For example, if the door was left open). |
| (3) Ice / Water Button | Press the Ice/Water button to select the ice or water function. You can select water or the types of ice(cube/crushed ice).
After making a selection, press the dispenser lever. |
| (4) Alarm / Lighting Button | Press the Alarm/Lighting button to turn off the door open alarm. Initially the Alarm is set to on. If you press and hold the Alarm/Lighting button for 3 seconds, the Dispenser LED Lamp will stay on. |
| (5) Fridge / Power Cool Button | Press the Fridge / Power Cool button to set the fridge to your desired temperature. You can set the temperature between 1°C and 7°C.
Press and hold the Fridge / Power Cool button for 3 seconds, to speed up the time needed to cool products in the Refrigerator. It can be helpful if you need to quickly cool easily spoiled items or if the temperature in the fridge has warmed dramatically (For example, if the door was left open). |
| (6) Ice Off / Lock Button | Press the Ice Off / Lock button to turn the ice making function off.
If you press and hold the Ice Off / Lock button for 3 seconds, the Display and Dispenser will be locked. |

USING THE DIGITAL DISPLAY

“Freezer Temp” indicates the current Freezer temperature.
“Fridge Temp” indicates the current Refrigerator temperature.
When not in use the Display will turn off, this is normal.



Power Freeze

This icon will light up when you activate the “**Power Freeze**” feature. “**Power Freeze**” is great when you need a lot of ice.

When you have enough ice, just press the button again to cancel the “**Power Freeze**” mode.

If you select “**Power Freeze**”, the inside temperature of the Freezer will decrease for about two and a half hours.

Cubed Ice , Crushed Ice , Water

Enjoy cubed or crushed ice by selecting your preference from the digital control panel. If you don't need ice, turn the feature off to save on water and energy consumption. The Ice type light indicates the type of ice(or no ice) that is currently chosen.

Power Cool

This icon will light up when you activate the “**Power Cool**” button. For a quick fridge cool down, use “**Power Cool**”.

If you select “**Power Cool**”, the inside temperature of the Fridge will decrease for about two and a half hours.

Filter Indicator

When the filter indicator light is on, it is time to change the filter. Typically this happens about every 6 months.

The filter Indicator will be Blue when you initially insert the water filter.

The filter Indicator will be Light Pink when you have used your water filter for 5 months.

The filter Indicator will be Red when you have used your water filter for 6 months.

After removing the old water filter and installing a new one (see page 33 for instructions on how to do this), reset the indicator by pressing and holding the “**Ice/Water**” button for 3 seconds.

Cooling Off Mode (“OF & OF” code on the display)



This function is for store display refrigerators. It is not for customer use.

In Cooling Off Mode, the refrigerator works but doesn't make cool air. To cancel this mode, press the Power Freeze and Freezer buttons at the same time for 3 seconds until a “Ding-dong” sound is heard and the unit will now cool.

Operating your SAMSUNG French Door Refrigerator

Energy Saver

This icon will light up when you activate the “Energy Saver” function is automatically set to “ON” when power is supplied to the Refrigerator. If condensation occurs on the doors, turn the Energy Saver function off.

Lighting

This icon will light up when you activate the “Lighting” feature. In this case, the dispenser light (under the display) will be on constantly. If you would like the dispenser light to come on only when using the dispenser, turn the “Lighting” feature off.

Alarm

This icon will light up when you activate the “Alarm” feature. The door alarm will sound if any door is open for more than 3 minutes. The beeping stops when you close the door. Initially the Alarm is set to on.

Ice Off

This icon will light up when you activate the “Ice Off” feature. In this case, the ice will not be produced.

Lock

This icon will light up when you activate the “Lock” feature. In this case, you won't be able to use the control panel. If you press and hold the Ice Off / Lock button for 3 seconds, you will be able to use the control panel again.

CONTROLLING THE TEMPERATURE

Basic Temperature of Freezer and Refrigerator Compartments

The basic temperature and/or recommended temperature of Freezer and Refrigerator Compartments are -19°C and 3°C respectively.

If the temperature of Freezer and Refrigerator Compartments are too high or low, adjust the temperature manually.


Controlling the Freezer temperature

The Freezer temperature can be set between -14°C and -25°C to suit your particular needs. Press the Freezer button repeatedly until the desired temperature is shown in the temperature display. Keep in mind that foods like ice cream may melt at -15°C.

The temperature display will move sequentially from -25°C to -14°C. When the display reaches -14°C, it will begin again at -25°C. Five seconds after the new temperature is set, the display will again show the actual current freezer temperature until the new temperature is reached.

Controlling the Refrigerator temperature

The Refrigerator temperature can be set between 7°C and 1°C as your particular needs. Press the Fridge button repeatedly until the desired temperature is shown in the temperature display. The temperature control process for the Fridge works just like the Freezer process. Press the Fridge button to set your desired temperature. After a few seconds, the Fridge will begin adjusting towards the newly set temperature. This will be reflected in the digital display.

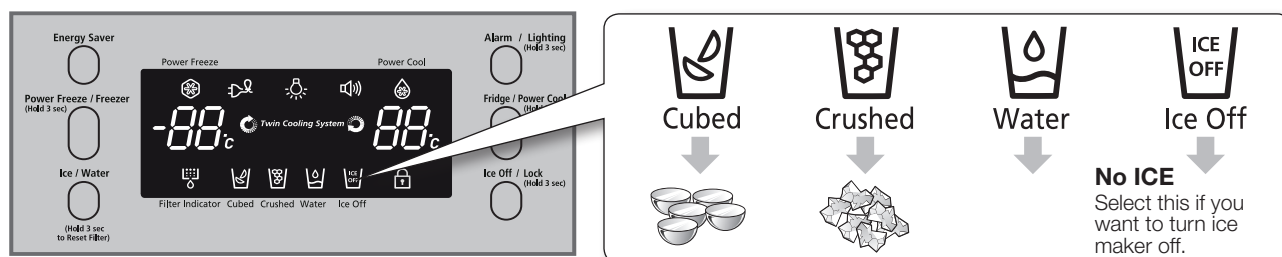
 The temperature of the Freezer or the Refrigerator may rise when you open the doors too frequently, or if a large amount of warm or hot food is placed in either side.

This may cause the digital display to blink. Once the Freezer and Refrigerator temperature return to their normal set temperatures, the blinking will stop.

If the blinking continues, you may need to “reset” the Refrigerator. Try unplugging the appliance, wait for around 10 minutes and then plug the power cord back in.

USING THE ICE AND COLD WATER DISPENSER

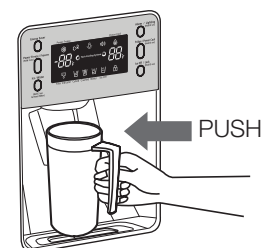
Press the Ice / Water button to select the type of you want



Using the Ice Dispenser

Place a glass underneath the ice dispenser and push gently against the dispenser lever with your glass. Make sure the glass is in line with the dispenser to prevent the ice from bouncing out.

- CAUTION** If the Freezer door is left open for a long time, condensation may form or the ice inside the Ice-Maker may clump. Please close the door as soon as possible.
- The Ice Dispenser may eject only a few ice cubes if there is not enough ice in the Ice-Maker.
- Use the Ice Dispenser when there is enough ice.
- If the Freezer door is open for a long time or a lot of ice is dispensed at once, condensation may trickle down the Dispenser lever.



Using the Water dispenser

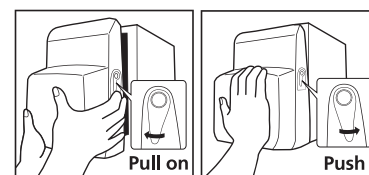
Place a glass underneath the water outlet and push gently against the water dispenser lever with your glass. Make sure the glass is in line with the dispenser to prevent the water from splashing out.

If you have just installed the Refrigerator or just installed a new water filter, pour out the first six glassfuls of water to flush out impurities in the water supply system. Make sure water flows cleanly before drinking.

- CAUTION** When you do not use the water dispenser for 2~3 days (especially during the summer), the dispensed water may have a funny smell or taste. If this occurs, we recommend that you discard the first 1~2 glasses for better tasting water.

Using the Ice Off Function

When selecting the Ice Off mode, remove all ice cubes from the bucket. If you are not using the ice dispenser the ice cubes may clump together. Pull the lock lever forward to throw away ice cubes or remove clumped ice from the bucket. Push the bucket back until you hear a click.



- CAUTION** If you have a long vacation or business trip, close the water valve and shut off the water supply to the Refrigerator. This will help prevent accidental leakages.

Do not put your fingers, hands or any other unsuitable objects in the chute or ice-maker bucket.

- It may result in personal injury or material damage.

Never put your finger or any other objects in the dispenser opening.

- It may cause injury.

Do not disassemble the Ice Maker personally. It may cause disorder.

Do not wash or spray the ice bucket with water.

Just wipe it with a dry cloth. In order to operate the ice maker properly, water pressure of 138~862 Kpa is required.

Water clouding phenomenon

All water provided to refrigerators flows through the core filter which is an alkaline water filter. In this process, the pressure in the water that has flowed out of the filter gets increased, and oxygen and nitrogen become saturated. When this water flows out in the air, the pressure plummets and the oxygen and nitrogen get supersaturated so that they turn into gas bubbles. The water could look misty due to these oxygen bubbles. The water may look temporarily cloudy due to these oxygen bubbles. After a few seconds, the water will look clear.

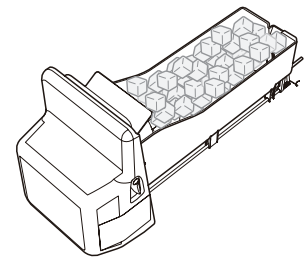
Operating your SAMSUNG French Door Refrigerator


ICE PRODUCTION


Normal Use


To fill ice bucket to maximum capacity after installation, make sure to do the following steps.

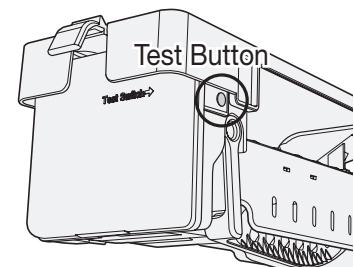
1. Allow your refrigerator to operate and cool down for 24 hours (or 1 full day).
2. Waiting 24 hours will allow your ice maker to cool properly.
3. Dispense 4 to 6 ice cubes into the glass.
4. After 8 and 16 hours, dispense a full glass of ice at each time.




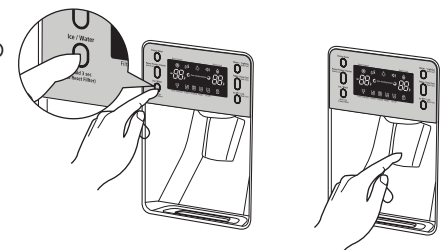
-  Whenever all ice is used at one time, the above step 3 and 4 must be repeated (before dispense the first 4 to 6 ice cubes, it needs waiting 8 hours). This will replenish the ice cubes and ensure maximum ice production.

-  **Test button**
CAUTION In case ice doesn't come out, pull out the ice bucket and press test button located on the right side of ice maker.

-  Please wait 1 second before removing the cup after dispensing water to prevent spills. Do not pull out the lever dispenser after taking out ice or water. It comes back automatically. Ice is made in cubes. When you select "Crushed", the icemaker grinds the ice cubes into crushed ice.



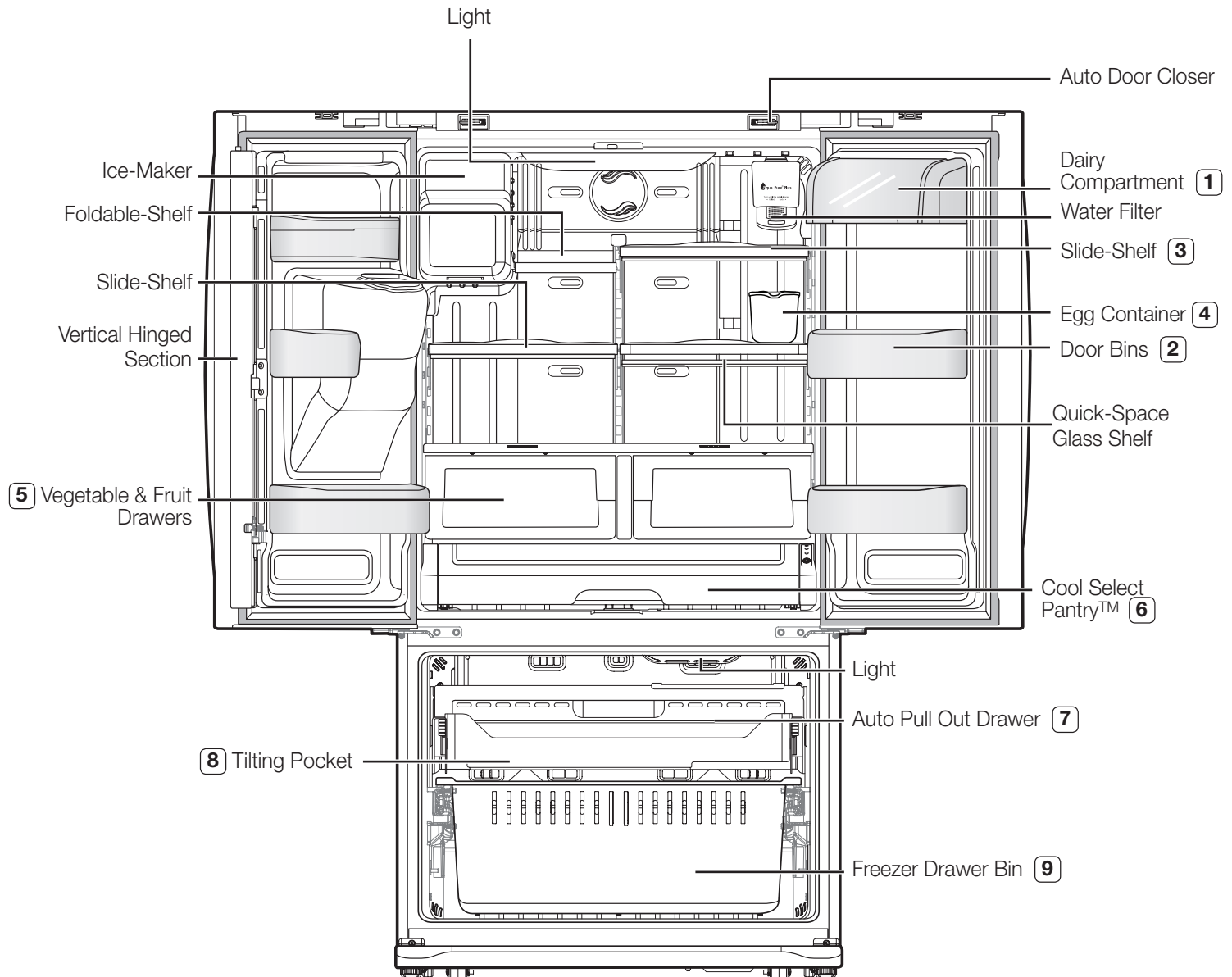
-  **CAUTION** When you dump the ice from the ice bucket, you should press the dispenser lever once with 'ICE CUBED' or 'CRUSHED' function ON to get new ice faster after replacing the ice bucket in the refrigerator.



Operating your SAMSUNG French Door Refrigerator wherever it appears

PARTS AND FEATURES

Use this page to become more familiar with the parts and features of the Refrigerator.



 When closing the door, make sure the Vertical Hinged Section is in the correct position to avoid scratching the other door.

If the Vertical Hinged Section is reversed, put it back to the right position and close the door.

Moisture may occur at times on the Vertical Hinged Section.

The door handle may become loose over time.

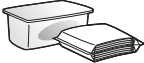





If this happens, tighten the bolts found on the inside of the door.


If you close one door with a lot of force, the other door may open.

STORING FOOD

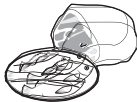
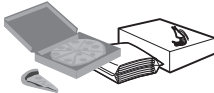

The Samsung French Door Refrigerator has been designed to provide you with maximum space saving features and functions. Here are some of the customized compartments we have created to keep your food fresher longer. In order to further prevent odor from seeping into the ice compartment, stored food should be wrapped securely and as airtight as possible.

STORING FOOD IN THE REFRIGERATOR


(1) DAIRY COMPARTMENT	Can be used to store small dairy items like butter or margarine, yogurt or cream cheese bricks	
(2) DOOR BINS	Designed to handle large, bulky items such as gallons of milk or other large bottles and containers.	
(3) TEMPERED GLASS SHELVES	Designed to be crack-resistant, the shelves can be used to store all types of food and drinks. Circular marks on the glass surface are a normal phenomenon and can usually be wiped clean with a damp cloth.	
(4) EGG CONTAINER	Best place to keep eggs. Place the container on the shelf for easy access.	
(5) VEGETABLE & FRUIT DRAWERS	Used to preserve the freshness of your stored vegetables and fruits. This drawer has been specifically designed to control the level of humidity within the compartment. Keep vegetables and fruits separate if possible.	
(6) COOL SELECT PANTRY™	Can be used for large party trays, deli items, pizza, beverages or miscellaneous items.	

-  Do not place any large articles of food under the lamp in the Refrigerator. An air sensor is located near the lamp and if the sensor is blocked, your Refrigerator may become too cold. Please place Vegetable and Fruits in the Vegetable and Fruits drawers to avoid freezing them. If the foods in your Refrigerator become frozen, please set the temperature higher.

STORING FOOD IN THE FREEZER DRAWER

(7) AUTO PULL OUT DRAWER	Best use to store meats or dry foods. Stored food should be placed in a container or wrapped securely using foil or other suitable wrapping materials.	
(8) TILTING POCKET	Can be used for small packages of frozen food. You can also store a 16" pizza.	
(9) FREEZER DRAWER BIN	Can be used to store meat and dry foods. Stored food should be placed in a container or wrapped securely using foil or other suitable wrapping materials.	

-  Bottles should be stored tightly together so that they do not tip and fall out when the Refrigerator door is opened.

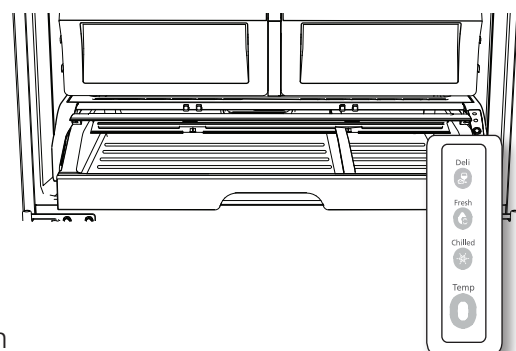
-  If you plan to go away for a long time, empty the Refrigerator and turn it off. Wipe the excess moisture from the inside of the appliance and leave the doors open. This helps keep odor and mold from developing.

USING THE COOL SELECT PANTRY™

The Cool Select Pantry™ is a full-width drawer with adjustable temperature control. This pantry can be used for large party trays, deli items, pizza, beverages or miscellaneous items.

There is a temperature control which can adjust the amount of cold air allowed into the pantry.

The control is located on the right side of the pantry.



Selection Button

1. When “Deli” is selected, the temperature of the pantry can be kept around 5°C. This feature helps keep food fresh for a long time.

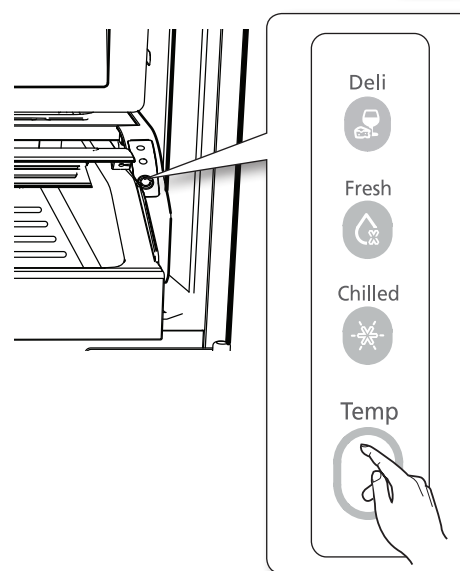
Pantry temperature can be maintained under recommended temperature setting (Freezer:-19°C, Fridge:3°C)

2. When “Fresh” is selected, the temperature of the pantry can be kept around 3°C. This feature helps keep food fresh for a longer time.

Pantry temperature can be maintained under recommended temperature setting (Freezer : -19°C, Fridge : 3°C)

3. When “Chilled” is selected, the temperature of the pantry can be kept around 1°C. This feature also helps keep meat or fish fresh for a longer time.

Pantry temperature can be maintained under recommended temperature setting (Freezer : -19°C, Fridge : 3°C)



Deli
 · pineapple
 · lemon
 · avocado
 · potato

Fresh
 · cucumbers
 · apples
 · oranges
 · grapes
 · zucchinis
 · corn

Chilled
 · steaks
 · hard cheeses
 · cold cuts
 · bacon
 · hot dogs



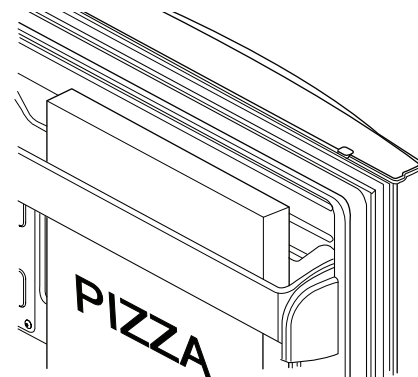
Fruits and vegetables may be damaged when the “chilled” mode is set. Do not store lettuce or other leafy produce in this pantry.



Do not store glass bottles in this pantry. If they are frozen, they can break and cause personal injury.

USING THE TILTING POCKET

The Tilting Pocket can be used to store up to a 16” pizza if you place it shown in the illustration.




Operating your SAMSUNG French Door Refrigerator

REMOVING THE REFRIGERATOR ACCESSORIES

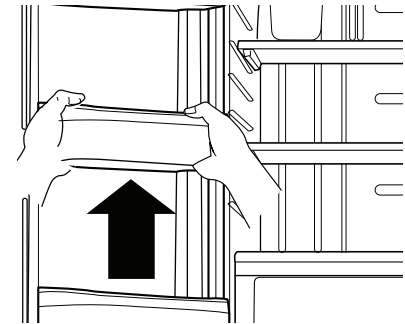
1. Door Bins & Dairy Compartment

To remove - Simply lift the bin up and pull straight out.

To relocate - Slide it in above the desired location and push down until it stops.

 **CAUTION** Injury may occur if the door bins are not firmly assembled. Do not allow children to play with bins. Sharp corners of the bins may cause injury.


 Do not adjust a bin full of foods.

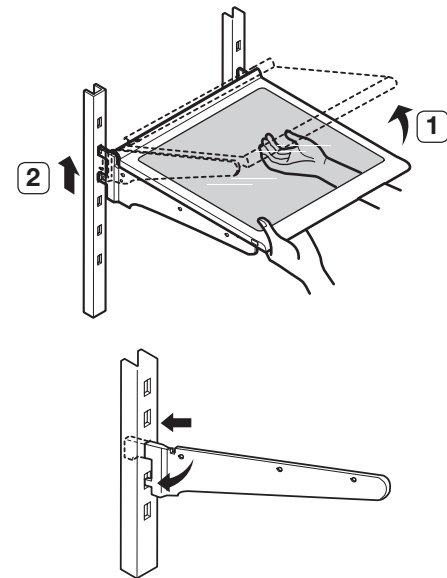


2. Tempered Glass Shelves

To remove - Tilt up the front of the shelf in the direction shown (1) and lift it up vertically (2). Pull the shelf out.

To relocate - Tilt the front of the shelf up and guide the shelf hooks into the slots at a desired height. Then lower the front of the shelf so that the hooks can drop into the slots.

 **CAUTION** The Tempered Glass shelves are heavy. Use special care when removing them.



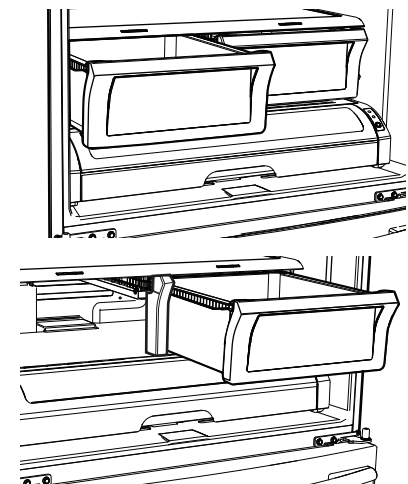
3. Vegetable & Fruit Drawers

To remove - Pull the drawer out to full extension. Tilt up the front of drawer and pull straight out.

To relocate - Insert the drawer into the frame rails and push back into place.

 **CAUTION** The glass shelf over the drawer is not firmly secured. Be careful when lifting.

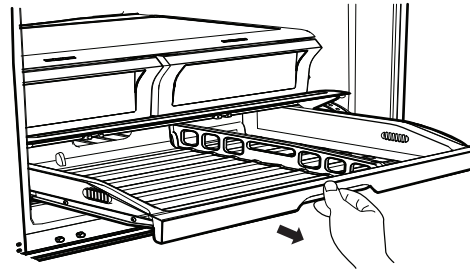
Do not open the drawer while the pantry is open. It may cause scratch or breakage to its cover.



4. Cool Select Pantry™

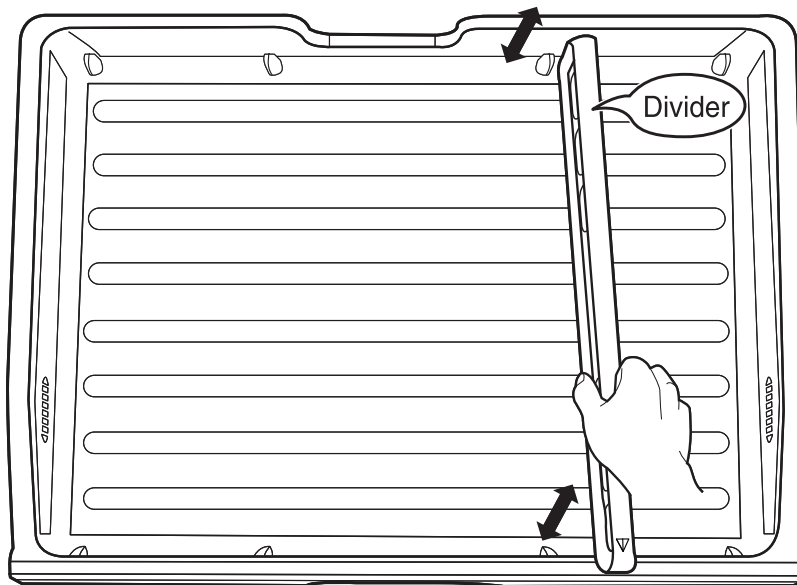
To remove the pantry - Pull the pantry out to full extension. Tilt up the front side of pantry and pull straight out.

To relocate the pantry - Push the rails to the back of the Refrigerator. Place the drawer onto the rails and slide the pantry back until it is in place.



To remove the divider - Pull the pantry completely out to full extension and raise the front side of the divider to unhook it from the rear wall of the pantry, then lift the divider out.

To relocate the divider - Hook the back of the divider over the rear wall of the pantry and push the divider down.



USING THE DOORS

The Refrigerator doors ensures that the doors close all the way and are securely sealed.

When the Refrigerator door is only partially open, it will automatically close. The door will stay open when opened more than around 3 Inches.

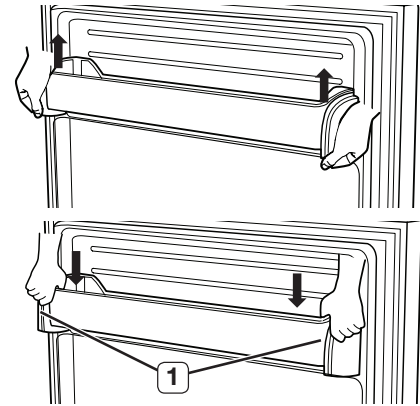
Operating your SAMSUNG French Door Refrigerator

REMOVING THE FREEZER ACCESSORIES

1. Tilting Pocket

To remove - Pull the brackets (1) upward until you hear a clicking sound and remove the pocket

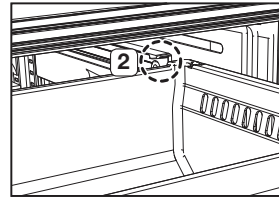
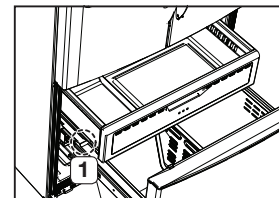
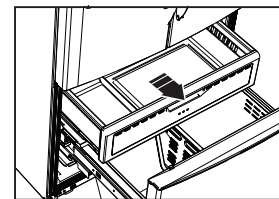
To replace - Hook the ends of the pocket into both brackets (1) and push down until it locks into place.



2. Auto Pull out Drawer

To remove - Pull the drawer out to full extension.
Tilt up rear of drawer and lift straight out.

To relocate - Place the drawer onto the rails by tilting it up.
Lower the drawer into place until it is horizontal and slide the drawer in.



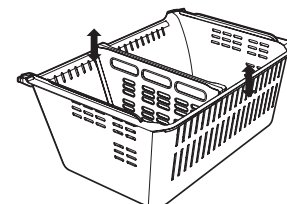
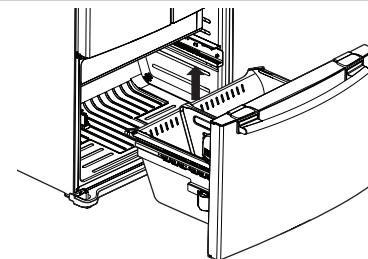
3. Freezer Drawer Bin

To remove the drawer - Pull the drawer out fully.
Tilt up the rear of the bin and lift it out to remove.

To replace the drawer - Place the bin into the rail assembly.

To remove the divider - Pull the divider straight up.

To replace the divider - Hook the top corners of divider over the hole of the bin.

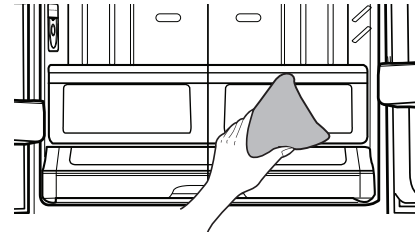


CLEANING THE REFRIGERATOR

Caring for your Samsung French Door Refrigerator prolongs the life of your appliance and helps keep it odor and germ-free.

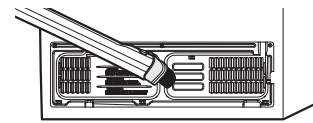
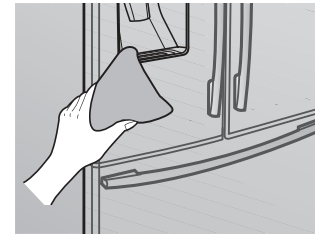
Cleaning the Interior


Clean the inside walls and accessories with a mild detergent and then wipe dry with a soft cloth. You can remove the drawers and shelves for a more thorough cleaning. Just make sure to dry drawers and shelves before putting them back into place.




Cleaning the Exterior

Wipe the digital panel and display panel with a clean, soft cloth. Spray water onto the cleaning cloth instead of spraying directly on the surface of the Refrigerator. It helps ensure an even distribution of moisture to the surface. The doors, handles and cabinet surfaces should be cleaned with a mild detergent and then wiped dry with a soft cloth. To keep your appliance looking its best, the exterior should be polished once or twice a year.

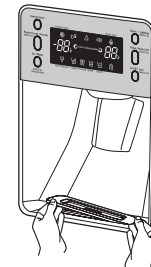


 Do not use Benzene, Thinner or Clorox for cleaning. They may damage the surface of the appliance and may cause fire.

 Printed letters on the display may be erased if the stainless cleaner is applied directly to the area where the letters are printed.

Cleaning the Ice/Water Dispenser


Push down one end of the tray dispenser and remove it. Wipe the Ice / Water Dispenser with a clean and soft cloth.



Cleaning the Rubber door seals


If the rubber door seals are dirty, the doors may not close properly, and the Refrigerator will not operate efficiently. Keep the door seals free of grit or grime by cleaning the doors with a mild detergent and damp cloth. Wipe dry with a clean, soft cloth.



 Do not spray the Refrigerator with water while it is plugged in, as it may cause an electric shock. Do not clean the Refrigerator with benzene, thinner or car detergent due to risk of fire.


Cleaning behind the Refrigerator


To keep cords and exposed parts free of dust and dirt accumulation, vacuum behind the appliance once or twice a year.

 Do not remove the back cover. Doing so may cause an electric shock.

Operating your SAMSUNG French Door Refrigerator

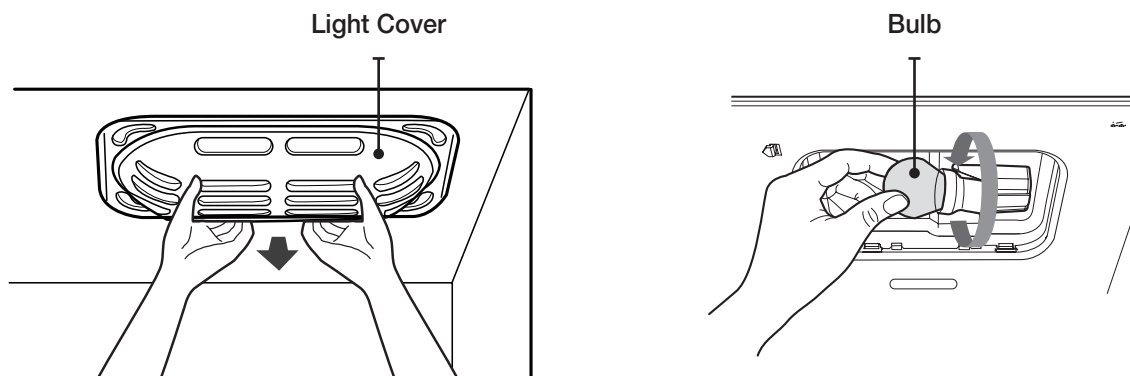
CHANGING THE INTERIOR LIGHTS

CAUTION  Before changing any of interior lights, unplug the refrigerator from the power supply. If you are unsure about changing the lights after reading through these directions, contact a Samsung authorized service center for help.

 The Replacement bulb for the freezer is available from your local home improvement or electronics store. Use replacement bulb size E26, maximum 60 watts. The refrigerator LED lamp must be changed by a Samsung authorized center.

Changing the Interior Light in the Freezer Drawer

1. Unplug the power cord from the wall outlet.
2. Remove the pull out drawer. Refer to 'Remove Auto Pull Out drawer' on page 31.
3. Pull the Light Cover to remove it.
4. Turn the bulb counterclockwise to remove it.
5. Assembly is the reverse order of disassembly.

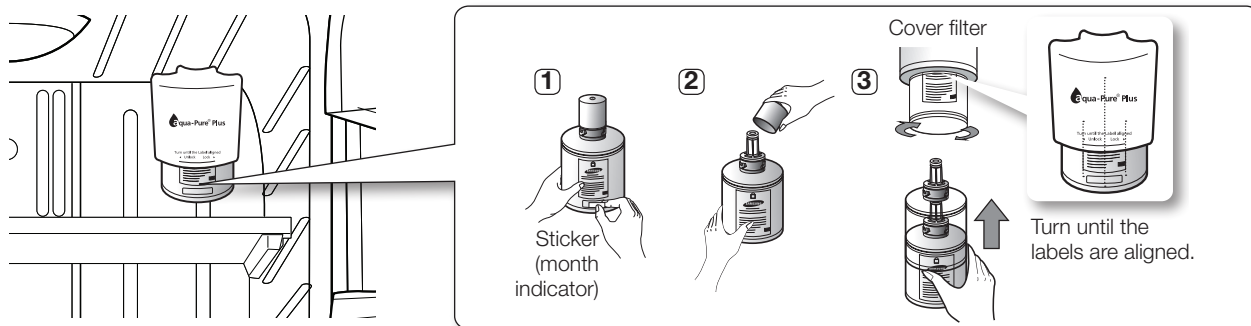


CAUTION  Do not place your fingers inside the cover. The lamp may be hot.

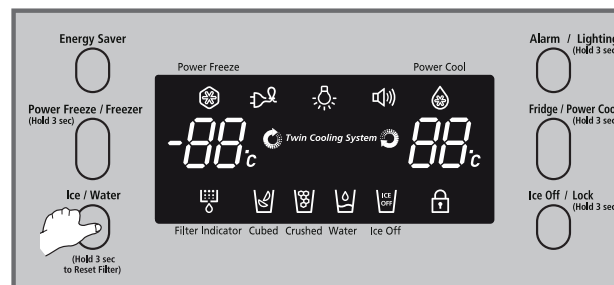
CHANGING THE WATER FILTER

The “Filter Indicator” light lets you know when it is time to change your water filter cartridge. To give you preparation time to get a new filter, the red light will come on just before the capacity of the current filter runs out. Changing the filter on time provides you with the freshest, cleanest water from your fridge.

1. Take a new water filter and put a month indicator sticker on the filter as shown.
The date on the sticker must be six months from the current date. For example, if you are replacing the water filter in March, put the “SEP” (September) sticker on the filter to remind you to replace in September. Normal filter life is about every 6 months.
2. Remove the new filter’s protective cap and remove the old filter.
3. Position and insert the new filter into the filter housing.
Slowly turn the water filter clockwise to align with the printing mark on the cover, locking the filter in position. Make sure to align the water filter label mark with the center of cover filter printing as illustrated. Remember, do not over-tighten.



4. Once you have completed this process, press and hold the Ice / Water button for 3 seconds to reset the filter schedule.



5. Lastly, run about six glassfuls of water through water dispenser to clean the water supply system. Make sure that water flows clearly again before drinking.

- Be sure to flush the dispenser thoroughly otherwise water may drip from the dispenser. This means that there is still air in the line.
Do NOT use the water or ice dispenser without a water filter cartridge because the water line may become blocked.

Ordering replacement Water Filter

For replacement water filter you can visit your local service center or contact the Samsung Parts distributor. Be sure the replacement water filter has the SAMSUNG logo on the box and the water filter.

Link : <http://www.samsungparts.com>

WATER FILTER CHART

Performance Data Sheet For Samsung Model DA97-06317A Using Replacement Cartridge DA29-00003G

This system has been tested according to NSF/ANSI Standards 42 and 53 for the reduction of the substances listed below. The concentration of the indicated substances in water entering the system was reduced to a concentration less than or equal to the permissible limit for water leaving the system, as specified in NSF/ANSI 42 and 53.



System tested and certified by NSF International against NSF/ANSI Standard 42 for the reduction of Chlorine Taste and Odor, Particulate Class I, and against NSF/ANSI Standard 53 for the reduction of Cysts, Turbidity, Lead, Asbestos, Benzene, Carbofuran, p-Dichlorobenzene and Mercury.

To a capacity of 300 gallons (1,136 liters).

Note that while the testing was performed under standard laboratory conditions, actual performance may vary.

Contaminant Reduction	Average Influent Concentration	NSF Specified Influent Challenge Concentration Units apply to each row	Average % Reduction	Average Product Water Concentration	Max. Permissible Product Water Concentration	NSF Reduction Requirements	NSF Test
Chlorine taste and odor	2.1 mg/L	2.0 mg/L \pm 10%	97.6	0.05 mg/L	NA	> 50%	J-00029741
Particulate Class I Particle size : < 0.5 to < 1 μ m	10,566,666 pt/mL	At least 10,000 particles/mL	98.4	171,833 pts/mL	NA	> 85%	J-00029739
Cysts*	127,500 cysts/L	Minimum 50,000 cysts/L	99.99	<1 cyst/L	NA	> 99.95%	J-00031000
Turbidity	10.5	11 \pm 1 NTU	98.6	0.15 NTU	0.5 NTU	> 0.5 NTU	J-00033223
Lead @ pH 6.5	153 ug/L	0.15 \pm 10%	99.3	<1ug/L	0.010 mg/L	10 ug/L	J-00039590
Lead @ pH 8.5	155 ug/L	0.15 \pm 10%	>99.4	<1ug/L	0.010 mg/L	10 ug/L	J-00039591
Mercury @ pH 6.5	5.97 ug/L	0.006 \pm 10%	96.6	<0.2 ug/L	0.002 mg/L	2 ug/L	J-00039589
Mercury @ pH 8.5	6.29 ug/L	0.006 \pm 10%	88.9	0.7 ug/L	0.002 mg/L	2 ug/L	J-00039586
Asbestos	140 MFL	107 to 108 fibers > μ m in length	> 99	<0.17 MFL	NA	99%	J-00029743
Benzene	13.88 ug/L	0.015 \pm 10%	96.4	<0.5 ug/L	0.005 mg/L	< 5 ug/L	J-0029751
Carbofuran	79.6 ug/L	0.190 mg/L	98.7	1 ug/L	0.001 mg/L	< 40 ug/L	J-00029750
p-Dichlorobenzene	237.5 ug/L	0.225 \pm 10%	99.8	0.525 ug/L	0.075 mg/L	< 75 ug/L	J-00029749

* Based on the use of *Cryptosporidium parvum* oocysts

Operating your SAMSUNG French Door Refrigerator

WATER FILTER CERTIFICATION

State of California
Department of Public Health
Water Treatment Device
Certificate Number

04 - 1660

Date Issued: July 7, 2004

Date Revised: June 2, 2008

Trademark/Model Designation

Samsung DA61-00159A-B

Samsung DA97-06317A

Replacement Elements

DA29-00003

DA29-00003G

Manufacturer: Cuno Incorporated

The water treatment device(s) listed on this certificate have met the testing requirements pursuant to Section 116830 of the Health and Safety Code for the following health related contaminants:

Microbiological Contaminants and Turbidity

Cysts
Turbidity

Organic Contaminants

Benzene
Carbofuran
p-Dichlorobenzene

Inorganic/Radiological Contaminants

Asbestos
Lead
Mercury

Rated Service Capacity: 300 gal

Rated Service Flow: 0.5 gpm

Conditions of Certification:

Do not use where water is microbiologically unsafe or with water of unknown quality, except that systems certified for cyst reduction may be used on disinfected waters that may contain filterable cysts.

FOOD STORAGE TIPS

Foods	Refrigerator	Freezer	Storage Tips
DAIRY PRODUCTS			
Butter	2-3 Weeks	6-9 Months	Wrap or cover tightly.
Milk	1-2 Weeks	Not recommended	Check date code. Most milk and similar products are sold in date-coded cartons that indicate a products's peak freshness. Re-seal with cap or wrap tightly. Do not return unused protions to orignal container.
Cream Cheese, cheese food, and cheese spread	2-4 Weeks	Not recommended	Check date code. Keep all cheese tightly packed in moisture proof wrap
Hard Cheese (un-opened)	3-4 Months	6 Months	
Hard Cheese (opened)	2 Months	Not recommended	
Cottage Cheese	10-15 Days	Not recommended	
Cream	7-10 Days	2 Months	Check date code. Most yogurt, creams, and similar products are sold in date-coded cartons that indicate a product's peak freshness. Re-seal or cover tightly. Do not return unused portions to original container.
Sour Cream	2 Weeks	Not recommended	
Cream Dips (opened)	1 Week	Not recommended	
Yogurt	10-14 Days	Not recommended	Check date code. Keep covered.
Frozen Yogurt	na	2 Months	
EGGS			
Eggs (uncooked)	3-4 Weeks	Not recommended	Check date code. Store eggs in coldest part of refrigerator and in their original container.
Eggs (cooked)	1 weeks	Not recommended	Store in covered container
Leftover egg dishes	3-4 Days	Not recommended	Store in covered container
FRESH FRUITS			
Apples	1 Month	Not recommended	If storing in refrigerator, do not wash fruit before storing. Store in moisture resistant bags or containers. Wrap cut fruits. Some fruits darken when refrigerated.
Bananas	2-4 Days	Not recommended	
Peaches, Melons, Pears, Avocados	3-5 Days	Not recommended	
Berries and Cherries	2-3 Days	12 Months	
Apricots	3-5 Days	Not recommended	
Grapes	2-5 Days	na	
Pineapple (un-cut)	2-3 Days	Not recommended	
Pineapple (cut)	5-7 Days	6-12 Months	
Citrus	1-2 Weeks	Not recommended	Store uncovered.
Juice	6 Days	Not recommended	Check date code and re-seal in original container. Do not return unused portions to original container.
Frozen Juice	Thawing only	12 Months	Check date code. Do not re-freeze.

Operating your SAMSUNG French Door Refrigerator

Foods	Refrigerator	Freezer	Storage Tips
FISH AND SHELLFISH			
Fish			
Fatty Fish (mackerel, trout, salmon)	1-2 Days	2-3 Months	Keep in original wrapper and store in coldest part of refrigerator. Package in vapor-proof and moisture proof wrap for freezer. Freeze at 0°F. Thaw in refrigerator or Check date code. Freeze in original packaging.
Lean Fish (cod, flounder, etc)	1-2 Days	6 Months	
Frozen or Breaded	na	3 Months	
Shellfish			
Shrimp (uncooked)	1-2 Days	12 Months	To freeze package in vapor-proof and moisture-proof container.
Crab	3-5 Days	10 Months	
Cooked Fish or Shellfish	2-3 Days	3 Months	
MEAT			
Fresh, Uncooked			
Chops	2-4 Days	6-12 Months	Check date code for use. Store in coldest part of refrigerator in original packaging. Add more packaging in moisture-proof and vapor-proof container for freezing. Recommended refrigerator temperature 33°F to 36°F and freezer temperature 0°F to 2°F
Ground	1 Day	3-4 Months	
Roast	2-4 Days	6-12 Months	
Bacon	1-2 Weeks	1-2 Months	
Sausage	1-2 Days	1-2 Months	
Steak	2-4 Days	6-9 Months	
Poultry	1 Day	12 Months	
Lunch meat	3-5 Days	1 Month	
Cooked			
Meat	2-3 Days	2-3 Months	Check date code for use. Store in coldest part of refrigerator in original packaging. Package in moisture-proof and vapor-proof container for freezing.
Poultry	2-3 Days	4-5 Months	
Ham	1-2 weeks	1-2 Months	

Sources:

American Meat Institute Foundation. 1994. Yellow pages: answers to predictable questions consumers ask about meat and poultry.
 American Meat Institute Food Marketing Institute. 1999. The food keeper. Food Marketing Institute, Washington, D.C. Freeland-Graves, J.H. and G.C. Peckham. 1996. Foundations of food preparation, 6th ed. Prentice-Hall, Inc. Englewood Cliffs, NJ. Hillers, V.N. 1993. Storing foods at home. Washington State University Cooperative Extension, Pullman, WA. Publ. EB 1205.
 National Restaurant Association. 2001. Be cool-chill out! Refrigerate promptly. National Restaurant Association Education Foundation
 International Food Safety Council, Washington, D.C. USDA. 1997. Basics for handling food safely. U.S. Department of Agriculture, Food Safety and Inspection Service, Washington, D.C.

Troubleshooting

PROBLEM	SOLUTION
The Refrigerator does not work at all or it does not chill sufficiently.	<ul style="list-style-type: none"> • Check that the power plug is properly connected. • Is the temperature control on the display panel set to the correct temperature? Try setting it to a lower temperature. • Is the Refrigerator in direct sunlight or located near a heat source? • Is the back of the Refrigerator too close to the wall and therefore keeping air from circulation?
The food in the Refrigerator is frozen.	<ul style="list-style-type: none"> • Is the temperature control on the display set to the correct temperature? Try setting it to a warmer temperature. • Is the temperature in the room too low? • Did you store the food with high water content in the coldest part of the Refrigerator? Try moving those items into the body of the Refrigerator instead of keeping them in the Cool Select Pantry™.
You hear unusual noise or sounds.	<ul style="list-style-type: none"> • Check that the Refrigerator is level and stable. • Is the back of the Refrigerator too close to the wall and therefore keeping air from circulating? • Was anything dropped behind or under the Refrigerator? • A “ticking” sound is heard from inside the Refrigerator. It is normal and occurs because various accessories are contracting or expanding according to the temperature of the Refrigerator interior.
The front corners and vertical hinged section of the appliance are hot and condensation is occurring.	<ul style="list-style-type: none"> • Some heat is normal as anti-condensators are installed in the vertical hinged section of the Refrigerator to prevent condensation. • Is the Refrigerator door ajar? Condensation can occur when you leave the door open for a long time.
Ice Maker is not producing ice.	<ul style="list-style-type: none"> • Did you wait for 12 hours after installation of the water supply line before making ice? • Is the water line connected and the shut-off valve opened? • Did you manually stop the ice making function? • Is the Freezer temperature too warm? Try setting the Freezer temperature lower.
You can hear water bubbling in the Refrigerator.	<ul style="list-style-type: none"> • This is normal. The bubbling comes from the Refrigerator coolant liquid circulating through the Refrigerator.
There is a bad smell in the Refrigerator.	<ul style="list-style-type: none"> • Check for spoiled food. • Foods with strong odors(for example, fish) should be tightly covered. • Clean out your Freezer periodically and throw away any spoiled or suspicious food.
Frost forms on the walls of the Freezer.	<ul style="list-style-type: none"> • Is the air vent blocked? Remove any obstructions so air can circulate freely. • Allow sufficient space between the foods stored for efficient air circulation. • Is the Freezer drawer closed properly?
Water dispenser is not functioning.	<ul style="list-style-type: none"> • Is the water line connected and the shut-off valve opened? • Has the water supply line tubing been crushed or kinked? Make sure the tubing is free and clear of any obstruction. • Is the water tank frozen because the Refrigerator temperature is too low? Try selecting a warmer setting on the main display panel.

In case the need for servicing arises

Do not hesitate to call any Samsung Authorized Service Center nearby giving them your name, address and telephone number when your product is not functioning properly.

Warranty Information

Limited Warranty for Original Purchaser

This Samsung product is warranted by Samsung Electronics Canada, Inc. (hereafter referred to as SECA) against manufacturing defects in material or workmanship for the following periods:

Labor : 1 year (in-home)

Parts : 1 year

Compressor : 5 year

SECA further warrants that if this product fails to operate properly within the specified warranty period and the failure is due to improper workmanship or defective material, SECA will repair or replace the product at its option.

All warranty repairs or part replacements must be performed by a SECA Authorized Service Center. (To find the nearest SECA Service Center, call 1-800-SAMSUNG (7267864) or visit our web site at www.samsung.com/ca)

Obligation to the Original Owner

The original dated sales receipt must be retained by the customer and is the only acceptable proof of purchase. It must be presented to a SECA Authorized Service Center at the time service is requested before warranty services are rendered. On all carry-in models, transportation to and from the Authorized Service Center is the responsibility of the customer.

Exclusions of the Warranty

This warranty does not cover damage due to accident, fire, flood, and/or other Acts of God, misuse, incorrect line voltage, improper installation, improper or unauthorized repairs, commercial use, or damage that occurs during shipping. Customer adjustments which are explained in this owner's manual are not covered under the terms of this warranty. This warranty will automatically be voided for any unit found with a missing or altered serial number. This warranty is valid only on products purchased and used in the Canada.

**Samsung Electronics Canada Inc., Customer Service
55 Standish Court Mississauga, Ontario L5R 4B2
Canada**

**Customer Care Center 1-800-SAMSUNG(7267864)
Customer Care Center fax. 1-866-436-4617**

If you have any questions or comments relating to Samsung products, please contact the SAMSUNG customer care center.

SAMSUNG ELECTRONICS CANADA, INC.
55 STANDISH COURT MISSISSAUGA, ONTARIO L5R 4B2 CANADA
TEL : 905-542-3535 FAX : 905-542-3835
1-800-SAMSUNG (7267864)
www.samsung.com/ca

memo



RF267AB

Réfrigérateur guide de l'utilisateur

imaginer les possibilités

Merci d'acheter ce produit Samsung.
Pour recevoir un service plus complet, veuillez
enregistrer votre produit à
Enregistrez vos produits Samsung en vous
connectant sur : www.samsung.com/register



Caractéristiques de votre nouveau réfrigérateur

CARACTÉRISTIQUES PRINCIPALES DE VOTRE NOUVEAU RÉFRIGÉRATEUR

Votre réfrigérateur à portes françaises Samsung est équipé de plusieurs caractéristiques efficaces pour économiser de l'espace et de l'énergie, en innovant dans les formes de conservation.

- **Système twin Cooling**
Le réfrigérateur et le congélateur ont des évaporateurs séparés. Grâce à ce système de refroidissement indépendant, le congélateur et le réfrigérateur refroidissent plus efficacement. D'ailleurs, ce système de flux d'air séparés évite le passage des odeurs des aliments vers l'autre compartiment.
- **Cool Select Pantry™**
Cool Select pantry™ est un large tiroir avec un contrôle de température réglable.
- **De l'espace plus grand et large**
La Grande zone de clayettes et le tiroir fournissent de l'espace suffisant pour des objets grands, comme des boîtes de pizza, etc.
Le Grand tiroir du congélateur fournit aussi de l'espace pour 2 ou 3 dindes.
- **Fermeture automatique sécurisée**
La fonction Fermeture automatique sécurisée fermera automatiquement la porte si elle est à peine ouverte.
- **Machine à glace compacte**
Le Machine à glace peut distribuer des glaçons ou de la glace pilée.
- **Affichage numérique et contrôle de température**
- **Système de filtrage d'eau**
- **Alarme porte**
Un son aimable vous indique que la porte bâille.
- **Compartiment inclinable**
Dans le Compartiment inclinable vous pouvez conserver même des pizzas de 16".
- **Tiroir auto-coulissant**
Le tiroir supérieur du congélateur sort automatiquement lorsque vous ouvrez la porte du congélateur.
- **Maniement aisé**
La porte du congélateur peut être ouverte avec peu d'effort.
- **Energy Star**
Homologué Energy star, ce produit peut représenter une économie de coûts de l'énergie.



Pour des futures références, notez le modèle et le numéro de série qui se trouvent sur le côté gauche du réfrigérateur.

Modèle # _____

Numéro de série # _____

Information de sécurité











INFORMATION DE SÉCURITÉ

Avant d'utiliser votre nouveau réfrigérateur à portes françaises Samsung, lisez ce manuel complètement pour vous assurer de savoir comment utiliser efficacement et avec sécurité les dispositifs et les fonctions que vous offre votre nouvel appareil.

Les instructions suivantes recouvrent plusieurs modèles, et donc les caractéristiques de votre réfrigérateur peuvent différer un peu de celles du réfrigérateur décrit dans ce guide.

Si vous avez des questions, contactez-nous à 1-800-SAMSUNG ou trouvez de l'assistance et de l'information sur www.samsung.com.

Signification des icônes et des signes utilisés dans ce guide :

	Risques ou pratiques dangereuses qui peuvent aboutir à des blessures sévères ou à la mort.
	Risques ou pratiques dangereuses qui peuvent aboutir à des blessures simples ou à des dégâts matériels.
	Pour réduire les risques d'incendie, d'explosion, de choc électrique et de blessures lors d'utiliser votre réfrigérateur, suivez les suivantes précautions de sécurité :
	N'essayez pas.
	Ne démontez pas.
	Ne touchez pas.
	Suivez les instructions au pied de la lettre.
	Débranchez la corde d'alimentation de la prise murale.
	Vérifiez que la machine est correctement reliée à la terre pour éviter des chocs électriques.
	Si vous en avez besoin, appelez le centre d'assistance.

Ces signaux indiquant danger vous aideront à éviter des blessures à vous-même et aux autres.

Please follow them explicitly

Suivez-les explicitement Conservez ce guide dans un endroit sûr, pour des futures consultations.

SIGNES IMPORTANTS DE DANGER

 **Ne branchez pas plusieurs appareils sur la même prise.**

- Les grands appareils consomment beaucoup d'électricité. Brancher plus d'un appareil ou machine sur une seule prise peut produire une surchauffe et un incendie.

Assurez-vous que la prise de la corde n'est pas coincée ou endommagée par l'arrière du réfrigérateur.

- Une prise de corde endommagée peut surchauffer et produire un incendie.

N'arrosez pas de l'eau directement dans ou au dehors des tiroirs du réfrigérateur et du congélateur.

- L'eau peut entrer dans les parties intérieures de la machine et produire un choc électrique.

Information de sécurité

N'utilisez pas d'aérosols près du réfrigérateur.

- Utiliser des aérosols près du réfrigérateur peut entraîner une explosion ou un incendie.

Ne soumettez pas la corde d'alimentation à des tensions ni lui placez rien dessus.

- Placer des objets lourds sur la corde d'alimentation entraîne un risque d'explosion ou d'incendie.

Ne branchez pas la prise d'alimentation avec les mains humides.

- Cela peut produire un choc électrique.

Ne mettez pas de récipient plein d'eau dans le réfrigérateur.

- Si l'eau se dégage, un incendie ou un choc électrique peut arriver.

N'installez pas le réfrigérateur dans un endroit humide ou à grande présence d'eau.

- L'humidité et/ou un isolement détérioré des pièces électriques internes peut produire un choc électrique ou un incendie.

Ne stockez pas de substances volatiles ou inflammables dans le réfrigérateur.

- Stocker du benzène, du diluant, de l'alcool, de l'éther, du gaz propane et d'autres produits similaires peut produire des explosions.



Ne démontez pas ni réparez vous-même le réfrigérateur.

- Vous courez des risques d'incendie, de défauts de fonctionnement de l'appareil et/ou de blessures. Appelez au centre d'assistance plus proche pour obtenir l'aide d'un technicien qualifié.



Débranchez le réfrigérateur avant de changer l'ampoule intérieure.

- Changer l'ampoule tandis que le réfrigérateur est branché peut produire un choc électrique.

Si vous voulez vous défaire de votre réfrigérateur, enlevez les portes et les joints avant de le jeter.

- Si des enfants entrent au réfrigérateur, les portes (et leurs joints) peuvent les enfermer. Vérifiez que les portes sont enlevées et que personne n'est suffoqué en demeurant enfermé à l'intérieur.



Le réfrigérateur doit être correctement relié à la terre

- Vérifiez toujours que vous avez raccordé le réfrigérateur à la terre avant d'essayer d'y faire des recherches ou de réparer une partie de l'appareil, des fuites électriques pouvant produire de chocs électriques sévères.

Ne jamais utilisez un tuyau de gaz, une ligne téléphonique ou une autre chose attirant l'électricité pour la liaison à la terre.

- Une utilisation incorrecte de la prise de terre peut déboucher sur un risque de choc électrique. S'il est nécessaire d'utiliser une rallonge pour brancher le réfrigérateur, utilisez en seulement à trois bornes, avec trois bornes dans la prise et dans le réceptacle, qui acceptera la prise de l'appareil. La cotation de la rallonge doit être de 115V~120V - 10A, ou plus. En outre, si vous utilisez un adaptateur de terre, vérifiez que la boîte de prise de courant est aussi bien reliée à la terre.

SIGNAUX D'ATTENTION

 **Utilisez le bon sens lors de remplir le réfrigérateur avec des aliments et des boissons.**

- Dans un réfrigérateur trop chargé, les objets lourds, fragiles ou encombrants peuvent tomber et produire des blessures et/ou endommager les objets proches.

Ne mettez pas de bouteilles ou de récipients en verre dans le tiroir congélateur

- Si le contenu gèle et se dilate, le verre peut se casser et produire des blessures ou laisser des dangereux morceaux de verre dans le congélateur.

Si la prise électrique murale est lâche, n'y introduisez pas la prise de la corde.

- Il y a un risque de choc électrique ou d'incendie. Faites inspecter la prise par un électricien qualifié.

 **Ne jamais débranchez votre réfrigérateur en tirant de la corde d'alimentation.**

- Prenez toujours la corde fermement et tirez de façon opposée à la prise murale. Ne tirez pas sèchement de la corde d'alimentation, ce qui peut produire un court-circuit, un incendie et/ou un choc électrique.
- Une corde endommagée peut être remplacée par le fabricant, par un centre d'assistance agréé ou par du personnel qualifié.

Ne posez pas d'objets sur l'appareil.

- Les objets peuvent tomber lorsque vous ouvrez ou fermez la porte, et produire des blessures et/ou endommager les objets voisins.


Ne conservez pas de produits pharmaceutiques, scientifiques ou sensibles à la température dans le réfrigérateur.

- Les produits nécessitant un contrôle exact de la température ne doivent pas être gardés dans le réfrigérateur.



Ne permettez pas aux enfants de grimper, marcher sur ou s'accrocher aux clayettes et aux poignées du réfrigérateur. Ils peuvent endommager le réfrigérateur et se blesser gravement. Ne vous asseyez pas sur la porte du congélateur. elle peut se casser. Ne permettez pas aux enfants de grimper dans le panier du congélateur.

 **Si vous sentez une odeur à plastique brûlé ou si vous voyez de la fumée, débranchez le réfrigérateur immédiatement et contactez votre centre d'assistance Samsung electronics.**

 **Ne touchez pas les surfaces froides du compartiment congélateur si votre réfrigérateur est en marche, particulièrement si vous avez les mains humides ou mouillées, puisque votre peau peut adhérer à ces surfaces extrêmement froides.**

- La peau peut se coller à la surface et vous pouvez souffrir une engelure.

Ne mettez pas vos mains sous la machine.

- Les bords pointus peuvent causer des lésions.

Information de sécurité

Ne jamais mettez les doigts ou d'autres objets dans le trou du distributeur d'eau ou dans la chute de glaçons.

- Cela peut vous produire des blessures et/ou des dégâts matériels.



Si le réfrigérateur n'est pas utilisé pendant une longue période (par exemple, pendant plusieurs mois), débranchez-le du mur.

- Au cours du temps, la détérioration de la corde d'alimentation peut produire un incendie.



N'utilisez pas un chiffon humide ou mouillé lors de nettoyer le réfrigérateur.

Enlevez toute poussière ou matière étrange des bornes de la prise.

- Une corde d'alimentation sale risque plus l'incendie.

Si le réfrigérateur a été déconnecté de la source d'alimentation, vous devez attendre au moins cinq minutes avant de le rebrancher.



N'exposez pas directement l'appareil à la lumière du soleil.

L'appareil doit être positionné de façon à avoir un accès facile à la source d'électricité.

Si la corde d'alimentation est endommagée, elle doit être remplacée par le fabricant, par un agent de service assistance agréé ou par du personnel qualifié.

Si vous envisagez des longues vacances, videz le réfrigérateur et mettez-le hors tension.

- Séchez l'excès d'humidité l'intérieure et laissez les portes ouvertes pour éviter le développement d'odeurs et de moisissure.



Garantie-service et modifications

- Tout changement ou modification entrepris par une troisième personne sur cet appareil terminé est en dehors du service-garantie Samsung, ni peut être Samsung responsable de problèmes de sécurité résultant de modifications entreprises par une troisième personne.



Les enfants peuvent rester enfermés dans les réfrigérateurs.

Avant de jeter votre ancien réfrigérateur ou congélateur, vérifiez que vous :

- Enlevez les portes.
- Laissez toutes les clayettes en place pour que les enfants n'y entrent pas facilement et y restent enfermés.



Cet appareil n'est pas conçu pour être utilisé par des enfants ou des personnes infirmes sans supervision adulte et capable. Les enfants en bas âge doivent être supervisés par les adultes lorsqu'ils utilisent l'appareil.

Table des matières

INSTALLATION DE VOTRE REFRIGERATEUR A PORTES FRANÇAISES

08

- 08 preparation pour installer le refrigerateur
- 09 installation du refrigerateur
- 11 démonter le tiroir du congélateur
- 12 rattacher les portes du réfrigérateur
- 14 assembler le tiroir du congélateur
- 15 ajuster les portes
- 16 faire des petits ajustements entre les portes
- 17 ajuster le niveau du tiroir du congélateur
- 18 vérifier l'arrivée d'eau au distributeur
- 19 installer la conduite d'eau

UTILISATION DU REFRIGERATEUR A PORTES FRANÇAISES SAMSUNG

21

- 21 utiliser le panneau de contrôle
- 22 utilisation de l'affichage numérique
- 23 contrôle de la température
- 24 utilisation du distributeur de glace et d'eau froide
- 26 pièces et particularités
- 27 conserver des aliments
- 28 utiliser THE COOL SELECT PANTRY™
- 28 utilisation du compartiment inclinable
- 29 enlever les accessoires du réfrigérateur
- 30 employer les portes
- 31 enlever les accessoires du congélateur
- 32 nettoyage du réfrigérateur
- 33 changer les ampoules intérieures
- 34 changer le filtre d'eau

DÉPANNAGE

39

- 39 Dépannage

Installation de votre Réfrigérateur à portes françaises

PREPARATION POUR INSTALLER LE REFRIGERATEUR

Félicitation pour votre acquisition du Réfrigérateur à portes françaises Samsung. Nous espérons que vous allez apprécier les toutes nouvelles caractéristiques et l'efficacité qu'offre ce nouvel appareil.

Sélection du meilleur endroit pour le réfrigérateur

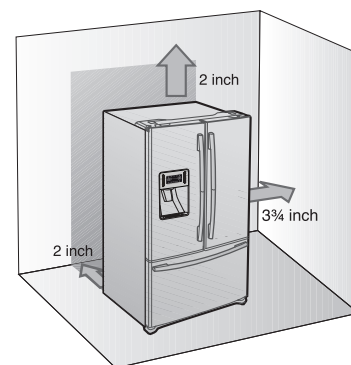
- Un endroit avec accès facile à la provision d'eau.
- Un endroit sans exposition directe à la lumière du soleil.
- Un endroit au sol nivelé (ou presque nivelé).
- Un endroit avec de l'espace suffisant pour que les portes du réfrigérateur ouvrent facilement.
- Laissez de l'espace suffisant pour la circulation d'air du système interne de refroidissement.

Si le réfrigérateur n'a pas de place suffisante, il est possible que le système interne de refroidissement ne marche pas correctement.

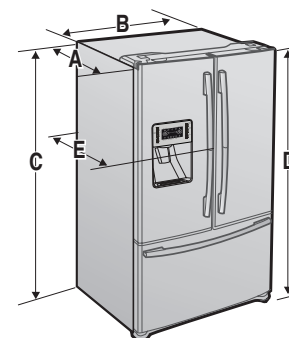
Si votre réfrigérateur possède une machine à glaçons, prévoyez de l'espace à l'arrière pour le branchement des conduites d'eau. Lorsque vous installez le réfrigérateur à proximité d'un mur fixe, prévoyez un espace de 95 mm minimum entre le réfrigérateur et le mur pour permettre l'ouverture de la porte.

D'abord ! Vérifiez que vous pouvez bouger le réfrigérateur à sa place finale en mesurant les portes (en largeur et en hauteur), les seuils, les plafonds, les escaliers, etc.

La carte suivante détaille la hauteur et la profondeur exactes du Réfrigérateur à portes françaises Samsung.



Modèle	Profondeur "A"	largeur "B"	Hauteur "C"	Hauteur totale "D"	Profondeur "E"
RF267	29-1/8" (83.6cm)	35-3/4" (90.8cm)	68-5/8" (174.4cm)	69-3/4" (177.4cm)	35-5/8" (90.5cm)



- Lors de l'installation, laissez de l'espace vers la gauche, la droite, le haut et l'arrière. Cela aide à réduire la consommation d'électricité et maintient basses les factures d'électricité.
- **N'installez pas le réfrigérateur où la température puisse baisser des 10 °C.**

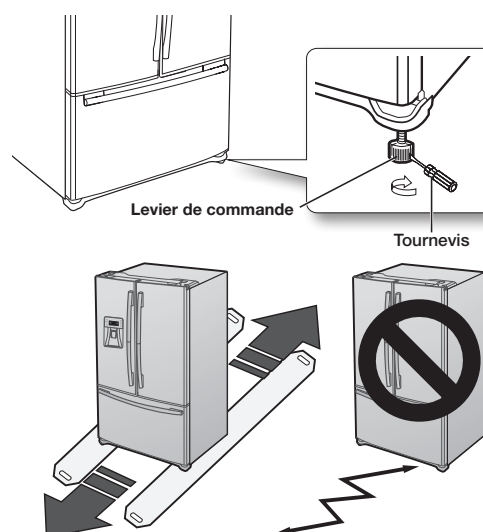
Pour déplacer votre réfrigérateur

Pour empêcher d'endommager le sol, assurez-vous que les pieds de mise à niveau sont en position haute (au-dessus du sol). Référez-vous à la partie « mettre le réfrigérateur de niveau » du manuel.

Pour protéger la finition du plancher, intercalez une feuille de protection telle que le carton d'emballage sous le réfrigérateur.




Lors de l'installation, de la maintenance ou du nettoyage du réfrigérateur, assurez-vous de tirer l'unité tout droit et de le repousser directement après avoir fini.



INSTALLATION DU RÉFRIGÉRATEUR

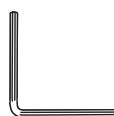
Maintenant, vous avez mis votre nouveau réfrigérateur en place, et vous êtes prêt à le régler et à apprécier les caractéristiques et les fonctions de l'appareil

1. Placez le réfrigérateur dans un endroit approprié, avec de bonnes distances entre le mur et le réfrigérateur. Consultez les instructions d'installation dans ce guide.
2. Une fois le réfrigérateur branché, vérifiez que la lumière intérieure s'allume lorsque vous ouvrez les portes.
3. Réglez le contrôle de température et attendez une heure. Le congélateur refroidira un peu et le moteur marchera doucement.
4. Après mettre le réfrigérateur sous tension, il tardera quelques heures à atteindre la température appropriée. Vous pouvez garder des aliments et des boissons dans le réfrigérateur une fois que la température sera suffisamment froide.

 Vérifiez la liste d'accessoires cidessous



Filtre d'eau
(DA29-00003B)



Clé six-pans
(DA80-00002C)



Cheville expansive
(DA60-00143B)



Raccord à
compression
(DA62-00305A)



Joint conique du
raccord démontable
(DA74-00070B)

ENLEVER LES PORTES DU RÉFRIGÉRATEUR

Si le réfrigérateur est trop large pour passer facilement à travers la porte, vous pouvez en enlever les portes.

Outils indispensables



Tournevis cruciforme



Clé à douille 10 mm



Allen Clé(5mm)



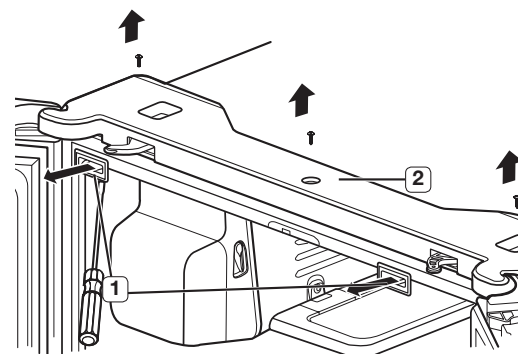
Tournevis plat



Tenailles

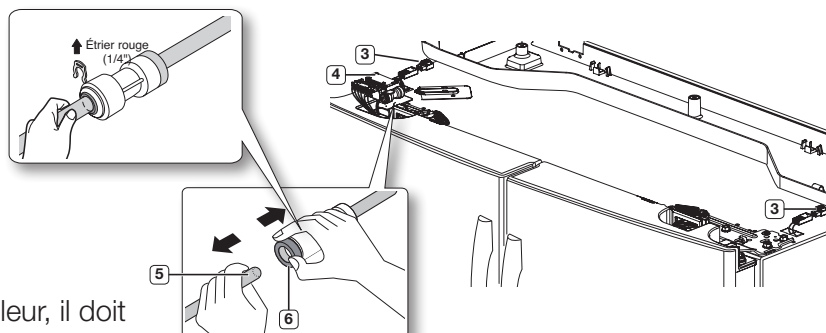
Démonter les portes du réfrigérateur

1. Ouvrez la porte, enlevez le capot de la Table du haut (1) avec un tournevis plat et ensuite fermez la porte. Enlevez les 3 vis qui rattachent la Table du haut et enlevez celle-ci (2).



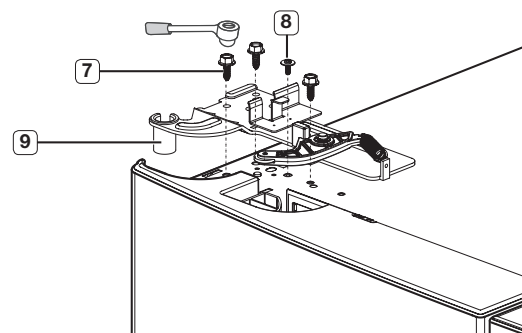
Installation de votre Réfrigérateur à portes françaises

2. Débranchez deux connecteurs (3) de chaque côté du capot supérieur ainsi que le connecteur (4) situé sur la porte gauche. Enlevez le tube (5) en appuyant sur la pièce de couleur gris-forcé (6) du raccord de la ligne d'eau.

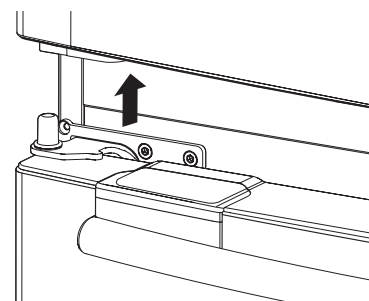


ATTENTION Si un clip rouge se trouve sur le coupleur, il doit être enlevé avant d'enlever le tube.

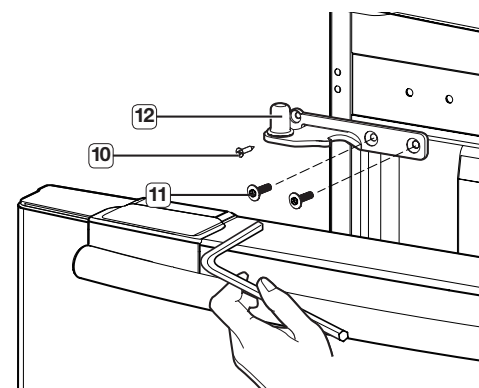
3. A l'aide d'une clé (10mm), enlevez les 3 boulons six-pans (7) rattachés aux charnières supérieures des deux portes. Avec un tournevis cruciforme, enlevez les vis de terre (8) rattachées aux charnières supérieures des deux portes. Enlevez les charnières supérieures des deux portes (9).



4. Soulevez un peu la porte pour l'enlever.

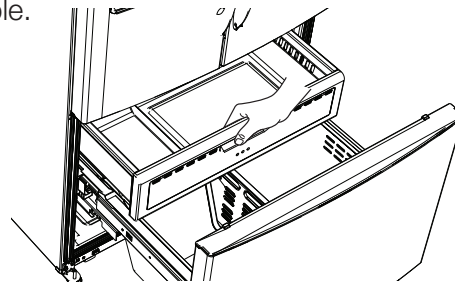


5. Avec un tournevis à tête Philips, retirez les deux vis (10) fixées aux charnières de porte inférieures gauche et droite. Avec une clef Allen (5mm), retirez les deux boulons à tête hexagonale (11) fixés aux charnières de porte inférieures gauche et droite. Retirez les charnières de porte inférieures gauche et droite (12).

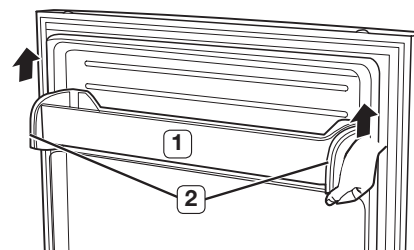


DÉMONTER LE TIROIR DU CONGÉLATEUR

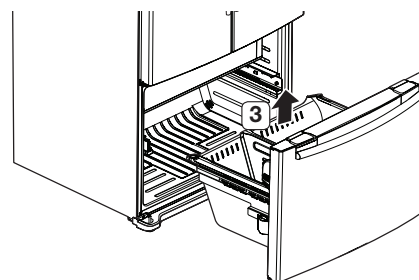
1. Poussez le tiroir supérieur jusqu'à ce qu'il atteigne le mur arrière du meuble.



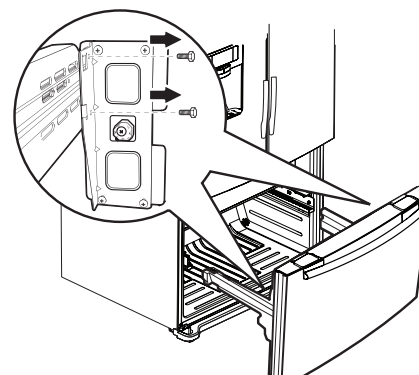
2. Enlevez le Compartiment inclinable (1) en tirant des deux supports (2) vers le haut en même temps.



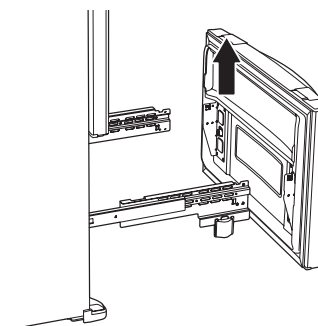
3. Enlevez le panier inférieur (3) en le relevant du système de glissières.



4. Retirez quatre boulons à tête hexagonale de 10 mm des deux côtés.



5. Soulevez la porte du congélateur des rails.

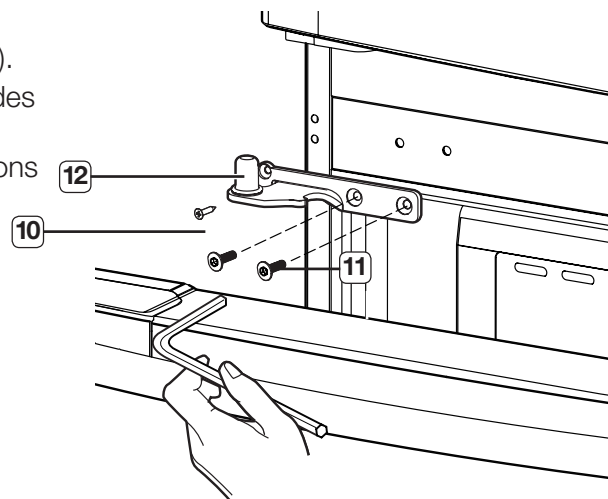


Installation de votre Réfrigérateur à portes françaises

RATTACHER LES PORTES DU RÉFRIGÉRATEUR

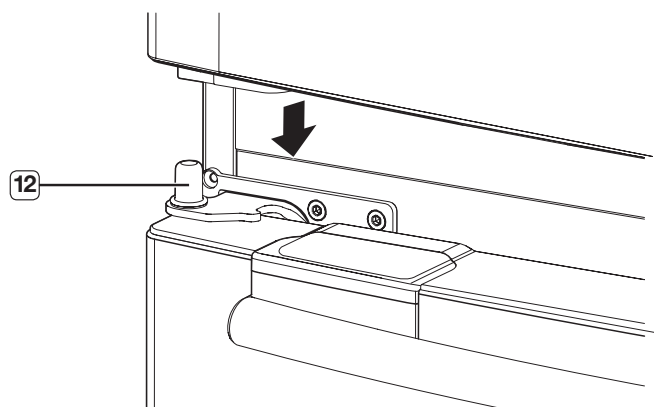
Assembler les portes du réfrigérateur

1. Rattachez les charnières inférieures des deux portes (12).
Introduisez les 2 vis (10) dans les charnières inférieures des deux portes et serrez avec un tournevis cruciforme.
A l'aide d'une clé (5mm), introduisez et serrez les 2 boulons six-pans (11) dans les charnières inférieures des deux portes.

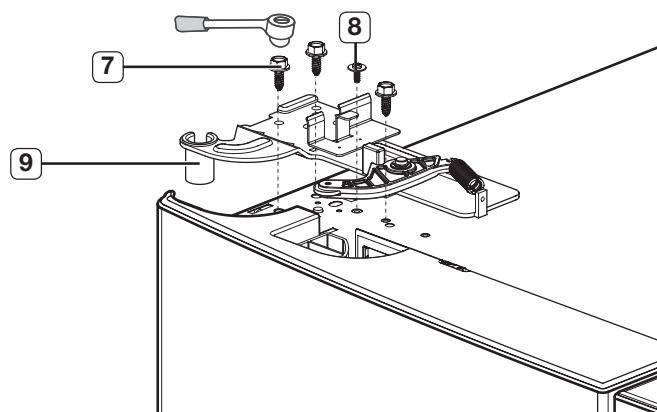


2. Placez le trou dans le bas de la porte sur la charnière inférieure (12).

 Faites attention à ne pas perdre le capot de la charnière, vu qu'il peut y sortir facilement.




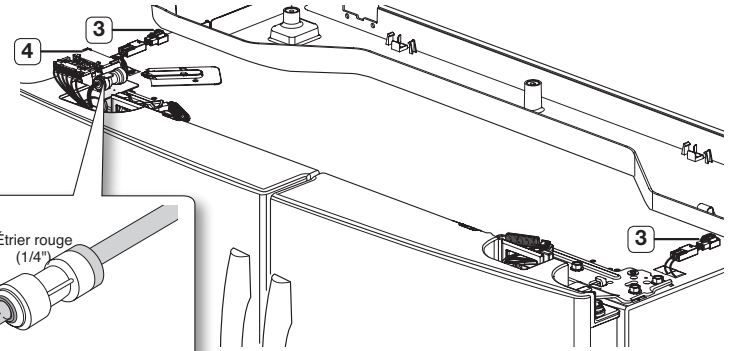
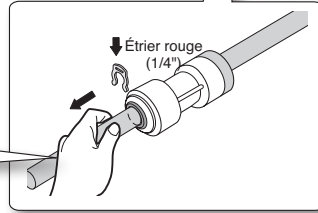
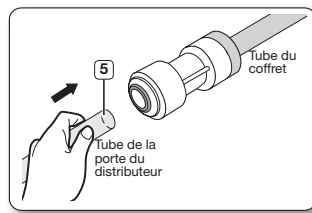
3. Introduisez les charnières supérieures (9) dans les trous sur le haut des portes.
Avec une clé (10mm), introduisez et serrez les 3 boulons six-pans (7) dans les charnières supérieures des deux portes.
Introduisez les vis de terre (8) dans les charnières supérieures des deux portes et serrez avec un tournevis cruciforme.




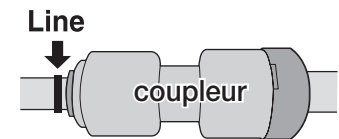
RATTACHER LES PORTES DU RÉFRIGÉRATEUR

4. Reliez la ligne d'eau (5) et puis insérez un clip sur le raccord en tirant le tube. Raccordez le connecteur (4) sur la porte gauche et les deux connecteurs (3) situés de chaque côté du capot supérieur.

 Le clip est enveloppé à l'intérieur du capuchon supérieur.

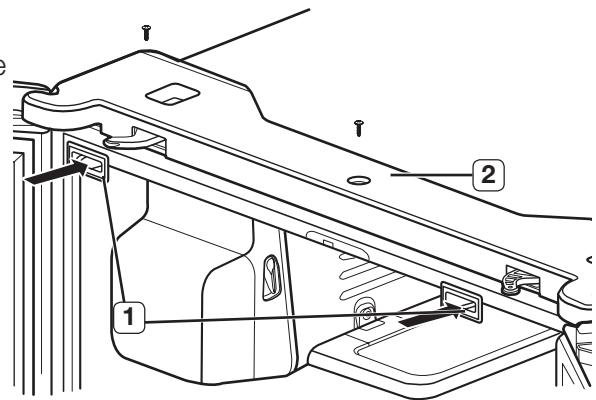


 **ATTENTION** La ligne d'eau (5) doit être entièrement insérée jusqu'à la ligne repère pour empêcher la fuite d'eau du distributeur



5. Positionnez la Table du haut (2) en place. Introduisez les 3 vis dans la Table du haut et serrez avec un tournevis cruciforme. Avec la porte ouverte, réintroduisez le capot de la Table du haut (1) et fermez les portes.

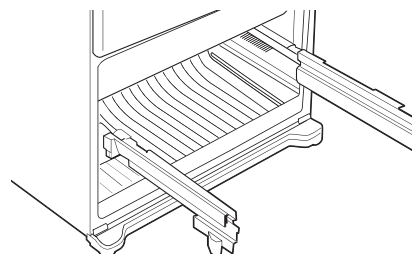
 Veillez à ce que les fils ne soient pas pincés ou endommagés en remettant le panneau supérieur.



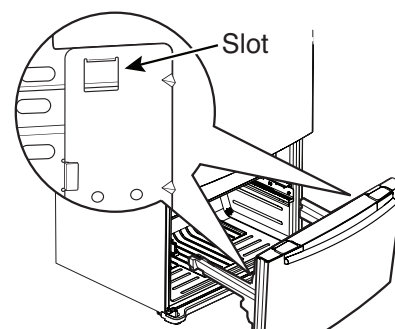
Installation de votre Réfrigérateur à portes françaises

ASSEMBLER LE TIROIR DU CONGÉLATEUR

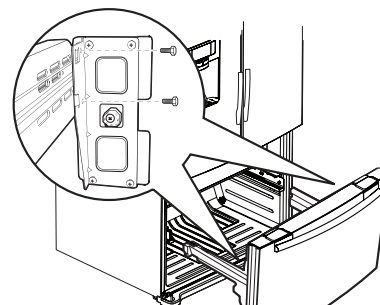
1. Enlevez les rails à pleine longueur de chaque côté du meuble de façon égale.



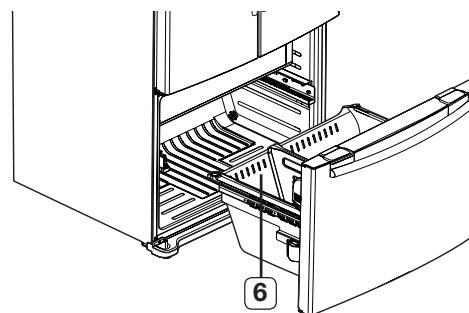
2. Suspendez la porte du congélateur dans les fentes ouvertes sur les cotés.



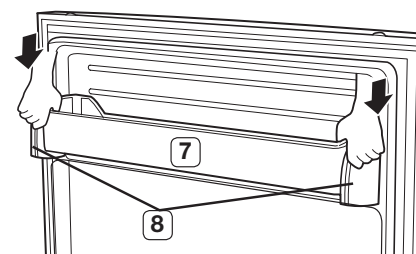
3. Serrez complètement les quatre boulons à tête hexagonale de 10 mm.



4. Ayant tiré du tiroir complètement, introduisez le panier inférieur (6) dans le système de glissières.



5. Accrochez les extrêmes du Compartiment inclinable (7) dans les deux supports (8) et poussez vers le bas pour qu'ils s'enclenchent en place.

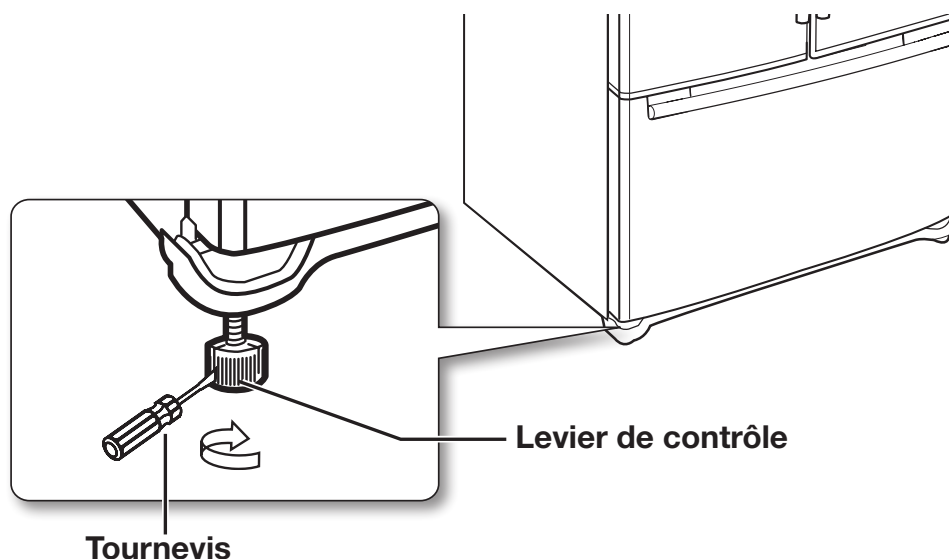


AJUSTER LES PORTES

Puisque les portes sont à nouveau dans le réfrigérateur, vous avez à vérifier que le réfrigérateur est nivelé et faire les ajustements finaux. Si le réfrigérateur n'est pas nivelé, il ne sera pas possible que les portes soient parfaitement nivelées.

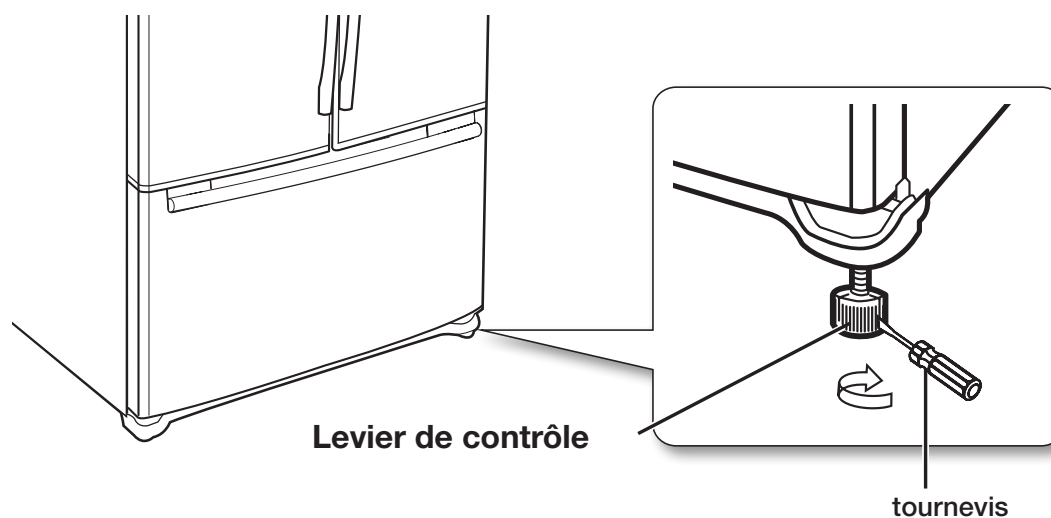
Si la porte gauche est plus basse que la porte droite.

Introduisez un tournevis plat dans une entaille dans le levier de contrôle gauche, et tournez-le en sens horaire ou anti-horaire pour niveler la portex gauche.



Si la porte gauche est plus haute que la porte droite.

Introduisez un tournevis plat dans une entaille dans le levier de contrôle droit, et tournez-le en sens horaire ou anti-horaire pour niveler la porte gauche.

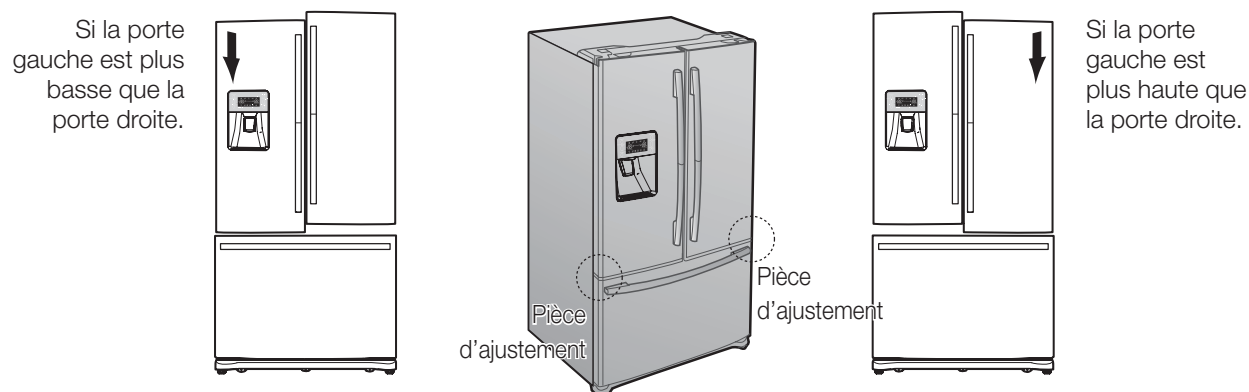


 Nous ne conseillons pas de faire les petits ajustements avec le levier de contrôle. Plutôt, consultez la page suivante pour savoir la meilleure façon de faire des petits ajustements aux portes.

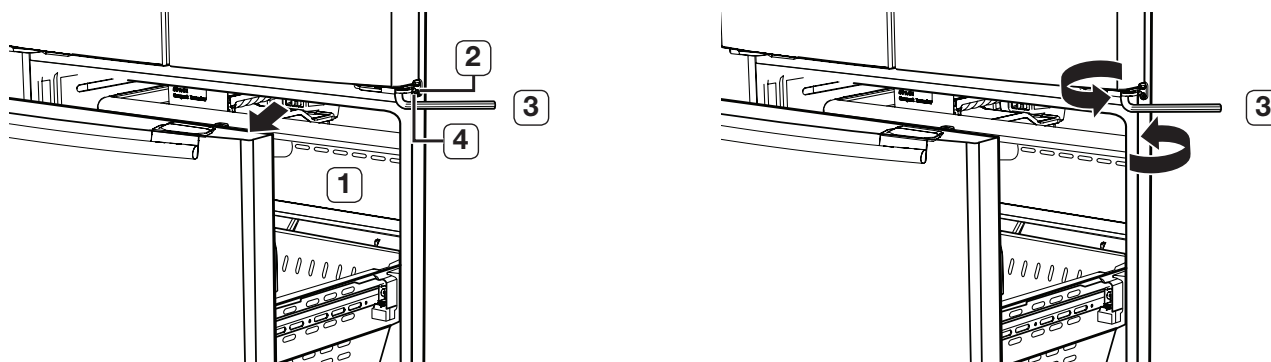
Installation de votre Réfrigérateur à portes françaises

FAIRE DES PETITS AJUSTEMENTS ENTRE LES PORTES

Souvenez-vous que le réfrigérateur doit être nivelé pour que les portes le soient aussi. Si vous avez besoin d'aide, consultez la section antérieure qui explique comment niveler le réfrigérateur.

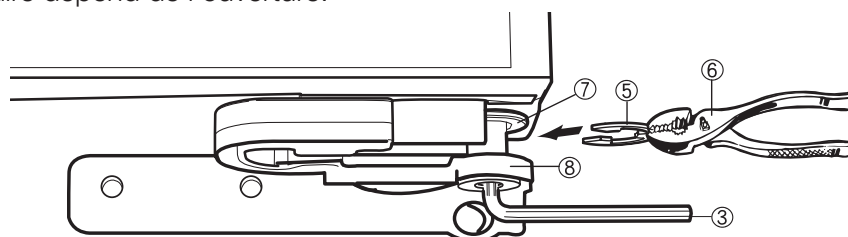


1. Si vous ouvrez le tiroir (1), vous verrez la charnière inférieure (2).
2. Introduisez la clé six-pans fournie (3) dans l'arbre (4) de la charnière inférieure.
3. Ajustez la hauteur en tournant la clé six-pans (3) en sens horaire (↻) ou anti-horaire (↺).



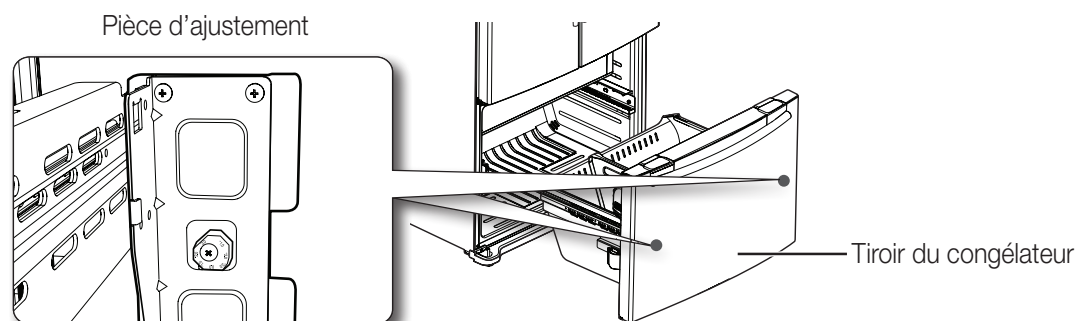
🔧 lorsque vous tournez la clé six-pans en sens anti-horaire (↺), la porte bougera vers le haut.

1. Après avoir ajusté les portes, introduisez la cheville expansive fournie (5) au moyen de tenailles (6) dans l'ouverture entre l'entretoise (7) et la charnière inférieure (8). La quantité de chevilles expansives à introduire dépend de l'ouverture.

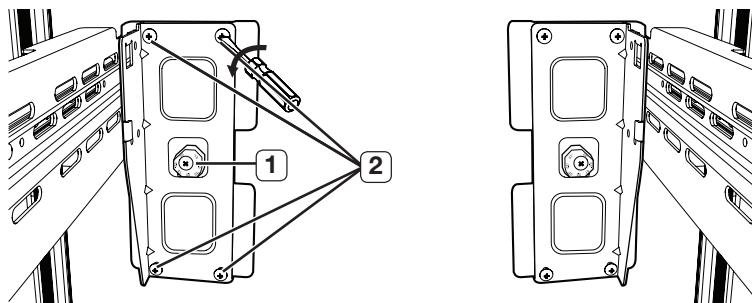


🔧 Deux chevilles expansives sont incluses dans le réfrigérateur. Chaque cheville expansive a une épaisseur de 0,04 pouce.

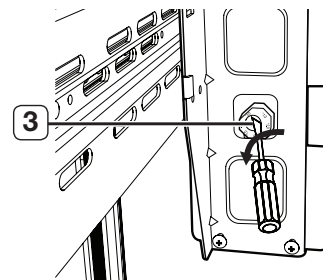
AJUSTER LE NIVEAU DU TIROIR DU CONGÉLATEUR



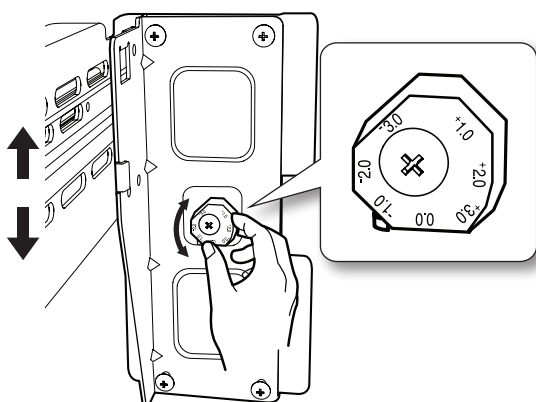
1. Repérez le régulateur de hauteur (1) dans le tiroir du congélateur.
Dévissez un peu les quatre vis cruciformes (2) pour lâcher la porte.



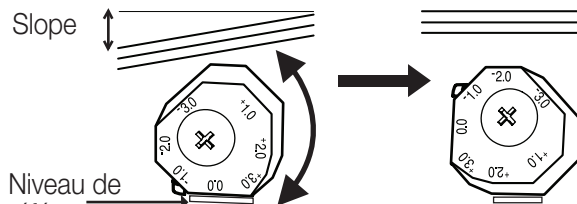
2. Lâchez la vis de contrôle (3) avec un tournevis cruciforme.



3. Trouvez le meilleur niveau pour aligner la pente de la porte.



Exemple) La pente est d'environ 2mm (0,08 pouce) comme il est montré dessous.



- Faites tourner le régulateur de hauteur à +2,0 pour réduire la pente de la porte.

Installation de votre Réfrigérateur à portes françaises

VERIFIER L'ARRIVÉE D'EAU AU DISTRIBUTEUR

Le distributeur d'eau est un des éléments utiles de votre nouveau réfrigérateur Samsung. Pour promouvoir la santé, le filtre d'eau Samsung enlève de l'eau les particules non désirées. Cependant, il ne stérilise ni détruit pas les microorganismes. Pour cela, vous devez acheter un système de purification d'eau.

Pour que la machine à glace fonctionne correctement, il faut une pression d'eau de 20~125 psi (livres par pied carré). Sous des conditions normales, une tasse de 170 cc (5,75 oz.) est remplie en 10 secondes.

Si le réfrigérateur est installé dans une zone à pression d'eau très basse (sous 20 psi), vous pouvez installer un surpresseur pour compenser la faible pression.

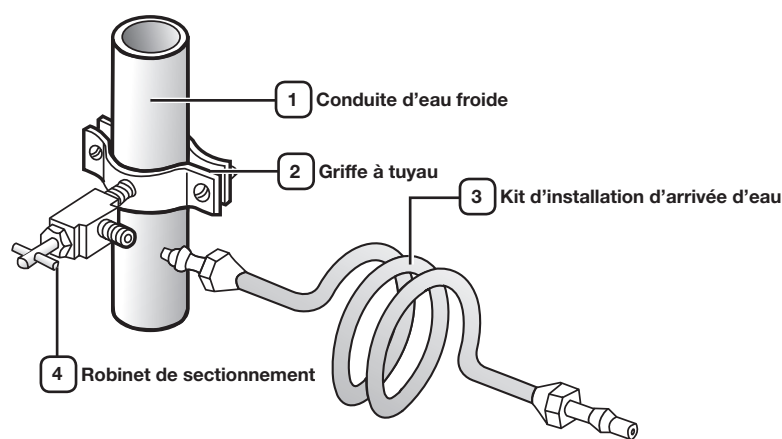
Vérifiez que le réservoir d'eau dans le réfrigérateur est rempli correctement. Pour cela, pressez le levier du distributeur d'eau jusqu'à ce que l'eau coule par la sortie d'eau.



Des kits d'installation de conduite d'eau sont disponibles avec des frais supplémentaires chez votre fournisseur. Nous conseillons d'utiliser un kit de d'arrivée d'eau contenant des tuyaux en cuivre.

Connexion à la conduite d'arrivée d'eau

1. D'abord, coupez l'arrivée d'eau principale et éteignez le distributeur de glace.
2. Repérez la conduite d'eau froide potable la plus proche.
3. Après connecter l'arrivée d'eau au filtre d'eau, ouvrez à nouveau l'arrivée d'eau principale et faites entrer 4 gallons (15 litres) ou plus dans un seau pour nettoyer le filtre d'eau.

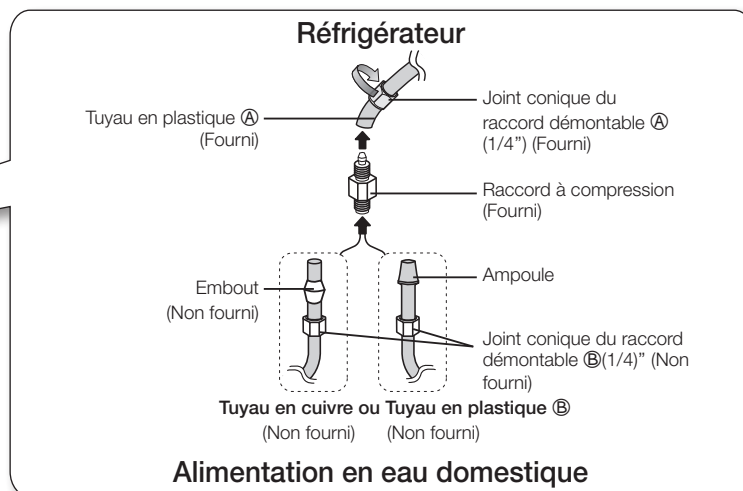
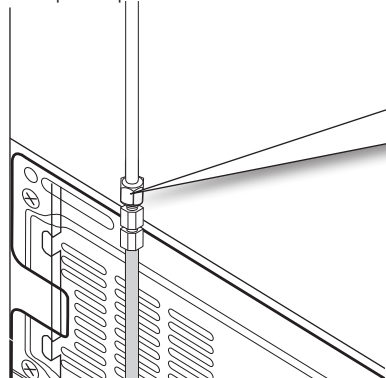


INSTALLER LA CONDUITE D'EAU

Connecter la conduite d'eau au réfrigérateur

Vous devez acheter plusieurs éléments avant de compléter cette connexion. Vous pouvez les trouver en kit chez votre quincaillerie du quartier.

- Joint conique du raccord démontable 1/4"
- Tuyau en cuivre
- Embout
- Tuyau en plastique



1. Glissez le joint conique du raccord démontable (A) à travers le tuyau en plastique (B) fourni.
2. Serrez le joint conique du raccord démontable (A) dans le raccord à compression 1/4".
 - Si vous utilisez du tuyau en cuivre, glissez le joint conique du raccord démontable (B) (non fourni) et l'embout (non fourni) dans le tuyau en cuivre (non fourni) comme il est montré.
 - Si vous utilisez une tuyauterie en plastique (B), insérez l'extrémité moulée (ampoule) de la tuyauterie (B) dans le raccord de compression.



Ne pas utiliser sans l'extrémité moulée (ampoule) de la tuyauterie en plastique (B).

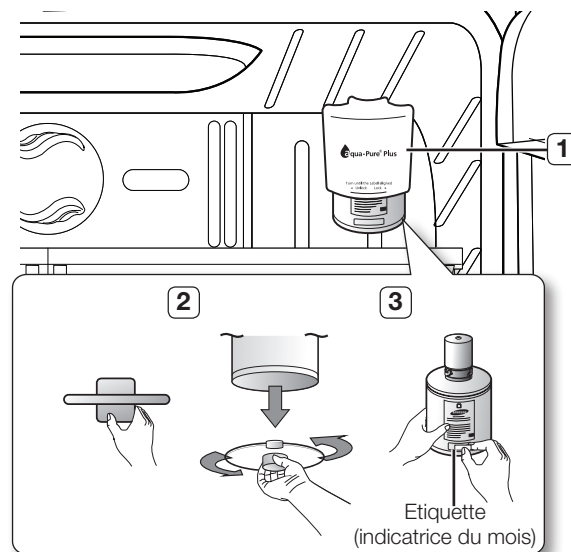
3. Serrez le joint conique du raccord démontable B dans le raccord à compression, sans le serrer de trop.
4. Ouvrez à nouveau le passage d'eau et vérifiez qu'il n'y a pas de fuites.



Connectez la conduite d'eau uniquement à une source d'eau potable.
Si vous devez réparer ou démonter la tuyauterie, coupez 1/4" du tuyau en plastique pour vous assurer une connexion sûre et libre de fuites.

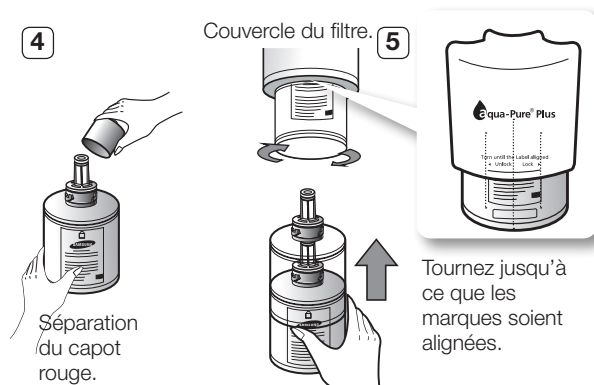
Installation du filtre d'eau.

1. Enlevez le couvercle du filtre d'eau (1)
2. Enlevez le capot en le tournant en sens anti-horaire. Rangez le capot dans un endroit sûr pour l'utiliser au cas que de ne pas utiliser de filtre.
3. Enlevez le filtre d'eau de la boîte et collez-y une étiquette indicatrice comme il est montré. Collez sur le filtre une étiquette ayant une date six mois après. Par exemple, si vous installez le filtre d'eau en mars, collez l'étiquette « SEP » sur le filtre pour vous rappeler de le remplacer en septembre. Comme ça, vous saurez quand il est temps de changer le filtre. Normalement, un filtre dure 6 mois.



Installation de votre Réfrigérateur à portes françaises

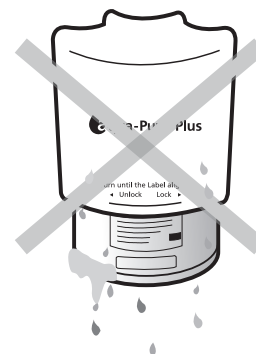
4. Enlevez le capot du filtre en introduisez le filtre dans son logement.
5. Tournez lentement le filtre d'eau 90° en sens horaire pour l'aligner avec la marque sur le couvercle, enclenchant le filtre en place.
Vérifiez que la marque sur le filtre d'eau est alignée avec le centre du dessin sur le couvercle du filtre, comme il est illustré. Souvenez-vous de ne pas serrer de trop.




 Vous devez enlever la clayette en verre supérieure droite avant d'installer les filtres d'eau.

Enlever toute matière résiduelle dans l'arrivée d'eau après l'installation du filtre.

1. Ouvrez le passage d'eau principal et coupez le robinet de l'arrivée d'eau.
2. Faites couler l'eau à travers le distributeur jusqu'à ce qu'elle soit claire (6-7 minutes environ). Après le système d'arrivée d'eau sera propre et libre d'air.
3. Une purge plus longue peut se révéler nécessaire dans certains logements.
4. Ouvrez la porte du réfrigérateur et vérifiez qu'il n'y a pas de fuite d'eau en provenance du filtre d'eau.



 Souvenez-vous de purger le distributeur complètement, autrement il peut y avoir un égouttement d'eau au distributeur. Cela signifie qu'il y a encore de l'air dans les tuyaux.

Alimentation en eau osmosée inverse

IMPORTANT : La pression de l'alimentation en eau en sortie d'un osmoseur inverse allant à la soupape d'admission de l'eau du réfrigérateur doit être entre 35 et 120 psi (241 et 827 kPa).

Si un système de filtration de l'eau osmosée inverse est relié à votre alimentation en eau froide, la pression d'eau de l'osmoseur inverse doit se situer entre 40 et 60 psi au minimum (276 à 414 kPa).

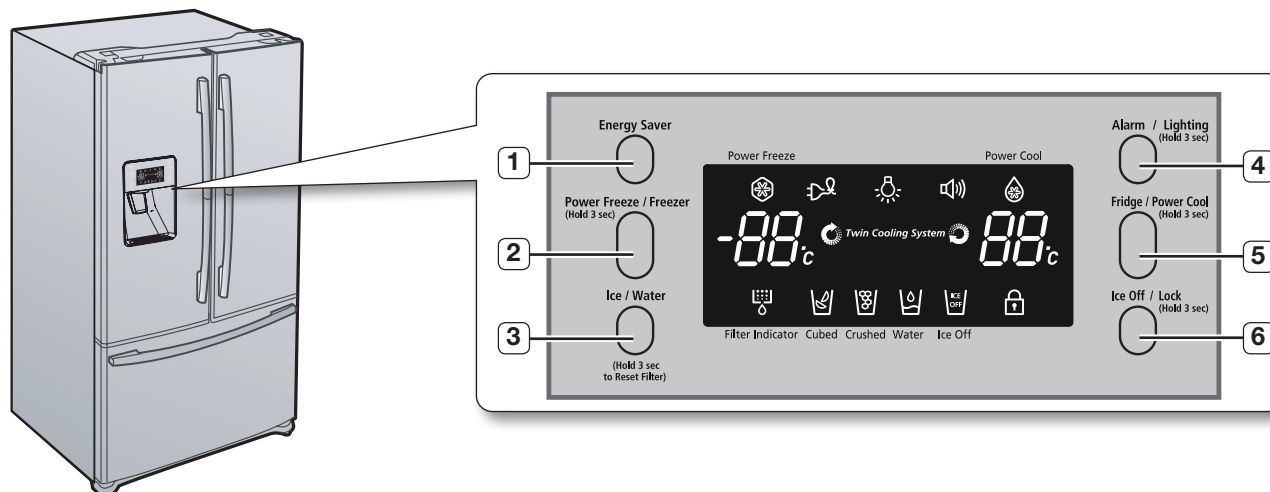
Si la pression d'eau de l'osmoseur inverse est inférieure à 40 à 60 psi (276 à 414 kPa) :

- Vérifiez que le filtre à sédiments de l'osmoseur inverse n'est pas obturé. Remplacez le filtre au besoin.
- Remplissez le réservoir de stockage de l'osmoseur inverse après utilisation.
- Si votre réfrigérateur dispose d'un filtre à eau, il peut conduire à la réduction de la pression d'eau lorsqu'il est utilisé en même temps qu'un osmoseur inverse. Démontez le filtre à eau.

Si vous avez des interrogations au sujet de votre pression d'eau, contactez un plombier agréé et qualifié.

Utilisation du Réfrigérateur à portes françaises SAMSUNG

UTILISER LE PANNEAU DE CONTRÔLE



(1) Touche Economie d'énergie

Pour une meilleure efficacité énergétique, appuyez sur la touche Economie d'énergie. S'il y a de la condensation sur les portes, éteignez la fonction Economie d'énergie.

(2) Touche Congélateur / Geler vite

Appuyez sur la touche Congélateur / Geler vite pour régler le réfrigérateur à la température désirée. Vous pouvez régler la température entre -14°C et -25°C. Appuyez et maintenez la touche Congélateur / Geler vite pendant 3 secondes pour accélérer le temps requis pour geler les produits dans le congélateur. Cela peut être utile si vous avez besoin de geler rapidement des aliments qui se gâtent facilement ou si la température du congélateur a augmenté dramatiquement (par exemple, si la porte a été laissée ouverte).

(3) Touche Glace / Eau

Appuyez sur la touche Glace / Eau pour sélectionner la fonction glace ou eau. Vous pouvez sélectionner l'eau ou les deux formes de glace (glaçons / glace pilée).Après avoir fait la sélection, pressez le levier du distributeur.

(4) Touche Alarme / Lumière

Appuyez sur la touche Alarme / Lumière pour éteindre l'alarme d'ouverture de porte. Initialement, l'alarme est allumée. Si vous appuyez et maintenez la touche Alarme / Lumière pendant 3 secondes, la lumière LED du distributeur restera allumée.

(5) Touche Réfrigérateur / Refroidir vite

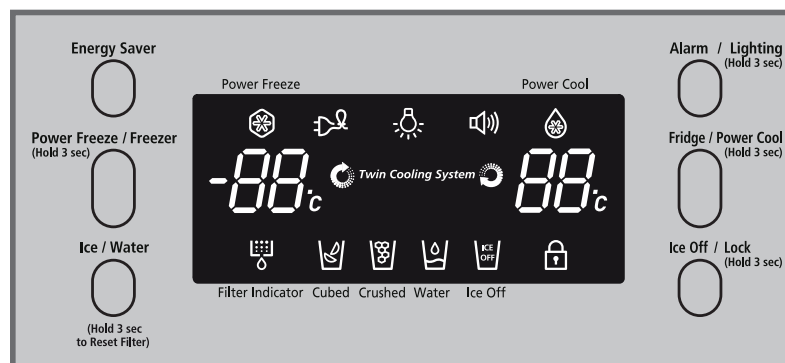
Appuyez sur la touche Réfrigérateur / Refroidir vite pour régler le réfrigérateur à la température désirée. Vous pouvez régler la température entre 1°C et 7°C. Appuyez et maintenez la touche Réfrigérateur / Refroidir vite pendant 3 secondes pour augmenter la vitesse de refroidissement des produits dans le réfrigérateur. Cela peut être utile si vous avez besoin de refroidir rapidement des aliments qui se gâtent facilement ou si la température du réfrigérateur a augmenté dramatiquement (par exemple, si la porte a été laissée ouverte).

(6) Touche Sans glace / Verrouillage

Appuyez sur la touche Sans glace / Verrouillage pour éteindre la production de glace. Si vous appuyez et maintenez la touche Sans glace / Verrouillage pendant 3 secondes, l'affichage et le distributeur seront verrouillés.

UTILISATION DE L’AFFICHAGE NUMÉRIQUE

« Temp. Congélateur » indique la température actuelle du congélateur. « Temp. Réfrigérateur » indique la température actuelle du réfrigérateur. S’il n’est pas utilisé, l’affichage s’éteindra. Cela est normal.



geler vite

Cet icône s’allumera lorsque vous activez la caractéristique « Geler vite ». « Geler vite » est très utile si vous avez besoin de beaucoup de glace. Appuyez sur la touche « Geler vite » et la production de glace augmentera. Lorsque vous en aurez suffisante, appuyez encore sur la touche pour annuler le mode « Geler vite ». Si vous sélectionnez « Geler vite », la température dans le congélateur tombera pendant deux heures et demie environ.

glaçons , **Glace pilée** **Eau**

Obtenez des glaçons ou de la glace pilée en sélectionnant votre choix dans le panneau de contrôle numérique. Si vous n’avez pas besoin de glace, éteignez la fonction pour économiser de l’eau et de l’énergie. La lumière du type de glace indique le type de glace (ou l’absence de glace) actuellement choisi.

Refroidir vite

Cet icône s’allume lorsque vous activez la touche « Refroidir vite ». Pour un refroidissement rapide du réfrigérateur, utilisez « Refroidir vite ».

Si vous sélectionnez « Refroidir vite », la température du réfrigérateur tombera pendant deux heures et demie environ.

Indicateur du filtre

Lorsque la lumière indicatrice du filtre est allumée, c’est l’heure de changer le filtre. Cela arrive typiquement tous les 6 mois.


L’indicateur du filtre tourne initialement au bleu lorsque vous introduisez le filtre d’eau.


L’indicateur du filtre tourne au rose lorsque vous avez utilisé le filtre d’eau pendant 5 mois.

L’indicateur du filtre tourne au rouge lorsque vous avez utilisé le filtre d’eau pendant 6 mois.

Après avoir retiré le filtre à air usagé et installé le nouveau (voir page 33 pour plus de détails sur la procédure), réinitialisez l’indicateur en maintenant appuyée la touche « Glace/Eau » (Ice/Water) pendant 3 secondes.

Mode refroidissement Off (code “OF & OF” sur l’affichage)

 Cette fonction est destinée aux réfrigérateurs de présentation en vitrine de magasin. Non destinés à la vente à la clientèle.

 **ATTENTION** En mode refroidissement Off, le réfrigérateur fonctionne mais ne conditionne pas l’air. Pour annuler ce mode, appuyer sur les boutons Power Freeze et Freezer en même temps pendant 3 secondes jusqu’à ce qu’une sonorité de type « ding-dong » se fasse entendre et que l’unité maintenant conditionne l’air.

Utilisation du Réfrigérateur à portes françaises SAMSUNG

Economie d'énergie

Cet icône s'allume lorsque vous activez la caractéristique « Economie d'énergie ». La fonction « Economie d'énergie » est allumée lorsque vous fournissez de l'énergie au réfrigérateur installé. S'il y a de la condensation, éteignez la fonction « Economie d'énergie ».

Lumière

Cet icône s'allume lorsque vous activez la caractéristique « Lumière ». Dans ce cas, la lumière du distributeur (sous l'affichage) sera constamment allumée. Si vous voulez que la lumière du distributeur s'allume seulement lorsque celui-ci est utilisé, éteignez la fonction « Lumière ».

Alarme

Cet icône s'allume lorsque vous activez la fonction « Alarme ». L'alarme de la porte sonne si une des portes est ouverte plus de 3 minutes. Le son bip s'arrête si vous fermez la porte. Initialement, « Alarme » est allumée.

Sans glace

Cet icône s'allume lorsque vous activez la fonction « Sans glace ». Dans ce cas, il n'y aura pas de production de glace.

verrouillage

Cet icône s'allume lorsque vous activez la fonction « Verrouillage ». Dans ce cas, vous ne pourrez pas utiliser le panneau de contrôle. Si vous appuyez et maintenez la touche Sans glace / Verrouillage pendant 3 secondes, vous pourrez utiliser à nouveau le panneau de contrôle.

CONTROLE DE LA TEMPERATURE

Température de base des compartiments congélateur et réfrigérateur


La température de base recommandée pour les compartiments congélateur et réfrigérateur sont de $-19^{\circ}\text{C}/3^{\circ}\text{C}$. Si les températures du congélateur et du réfrigérateur sont trop hautes ou trop basses, justez la température manuellement.

Contrôle de la température du congélateur

La température du congélateur peut être réglée entre -14°C et -25°C en fonction de vos besoins. Appuyez maintes fois sur la touche Congélateur jusqu'à ce que la température désirée soit montrée sur l'affichage de température. Rappelez-vous que des aliments comme la glace fondent sur les -15°C . L'affichage de température passe séquentiellement de -25°C à -14°C . Lorsque l'affichage atteint -14°C , il recommence à -25°C . Cinq secondes après le réglage de la nouvelle température, l'affichage montre à nouveau la température actuelle du congélateur. Cependant, cette valeur change graduellement vers la nouvelle température.

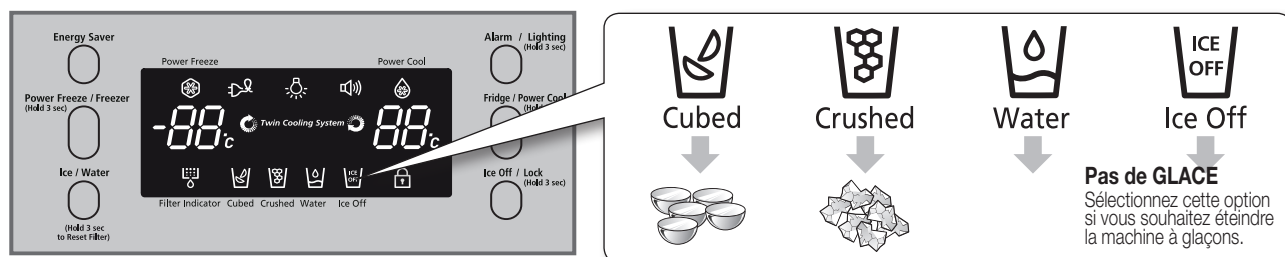
Contrôle de la température du réfrigérateur

La température du réfrigérateur peut être réglée entre 7°C et 1°C en fonction de vos besoins. Appuyez maintes fois sur la touche Réfrigérateur jusqu'à ce que la température désirée soit montrée sur l'affichage de température. Le processus de contrôle de la température du réfrigérateur est égal à celui du congélateur. Appuyez sur la touche Réfrigérateur pour régler la température choisie. Après quelques secondes, le réfrigérateur commence à ajuster vers la nouvelle température réglée. Cela est appréciable sur l'affichage numérique.

 Les températures du congélateur ou du réfrigérateur peuvent monter si vous ouvrez trop fréquemment les portes, ou si beaucoup d'aliments chauds y sont placés. Cela peut produire que l'affichage numérique clignote. Une fois que le congélateur et le réfrigérateur retournent à leurs températures normales, le clignotement s'arrête. Si le clignotement continue, il est possible que vous deviez « réinitialiser » le réfrigérateur. Essayez-le en débranchant l'appareil, attendant dix minutes et rebranchant la corde d'alimentation.

UTILISATION DU DISTRIBUTEUR DE GLACE ET D'EAU FROIDE

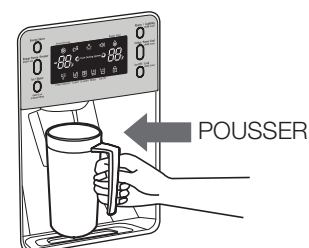
Appuyez sur la touche Glace / Eau pour sélectionner le type désiré



Utilisation du distributeur de glace

Placez un verre sous le distributeur de glace et poussez doucement contre le levier du distributeur avec le verre. Vérifiez que le verre est en ligne avec le distributeur pour éviter que la glace saute dehors.

ATTENTION Si la porte du congélateur est laissée ouverte longtemps, il peut se former de la condensation ou la glace dans la machine à glace peut s'entasser. Fermez la porte si vite que possible. Le distributeur de glace peut n'offrir que peu de glaçons s'il n'y a pas de glace suffisante dans la machine. Utilisez le distributeur lorsqu'il y a de la glace suffisante. Si la porte du congélateur est ouverte pendant longtemps ou si beaucoup de glace est distribuée d'un coup, la condensation peut immobiliser le levier du distributeur.



Utilisation du distributeur d'eau

placez un verre sous le distributeur d'eau et poussez doucement contre le levier du distributeur avec le verre. vérifiez que le verre est en ligne avec le distributeur pour éviter que l'eau éclabousse.

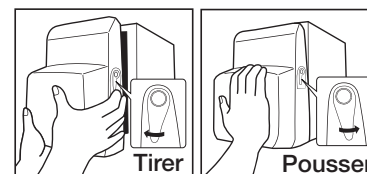
Si vous venez d'installer le réfrigérateur ou de changer le filtre d'eau, jetez les six premiers verres d'eau pour vous débarrasser des impuretés du système d'eau. vérifiez que l'eau coule propre avant de la boire.

ATTENTION Lorsque vous n'utilisez pas le distributeur d'eau pendant 2 ou 3 jours (en particulier pendant l'été), l'eau distribuée peut avoir un goût ou une odeur étrange. Dans ce cas, nous vous recommandons de ne pas boire l'eau du premier verre ; elle sera meilleure ensuite.

Utilisation de la fonction Sans glace

Lors de sélectionner le mode Sans glace, enlevez tous les glaçons du seau. Si vous n'utilisez pas le distributeur, les glaçons peuvent fondre ensemble.

Tirez du levier de verrouillage pour jeter les glaçons ou la glace entassée du seau. Renfoncez le seau jusqu'à entendre un déclic.



ATTENTION Si vous partez en long voyage ou en vacances, fermez le robinet de sectionnement et coupez l'arrivée d'eau au réfrigérateur. Cela aide à prévenir les fuites accidentelles. Ne mettez pas les doigts, les mains ou des objets inappropriés dans la chute du seau de la machine à glace.

- Vous pouvez vous blesser ou produire des dégâts matériels.
Ne jamais mettez les doigts ou d'autres objets dans l'ouverture du distributeur.
- Vous pouvez vous blesser. Ne lavez pas ni arrosez de l'eau dans le seau à glace.

Nettoyez seulement avec un chiffon sec. Pour le fonctionnement correct de la machine à glace il faut une pression de 138~862 Kpa.

Phénomène de formation de buée

Toute l'eau fournie aux réfrigérateurs traverse le filtre principal qui est un filtre à eau alcalin. Dans ce processus, la pression de l'eau qui en sortie du filtre est augmentée, et l'oxygène et l'azote deviennent saturés. Quand l'eau s'écoule dans l'air, la pression descend et l'oxygène et l'azote deviennent sursaturés de sorte qu'ils se transforment en bulles de gaz. L'eau peut sembler trouble en raison de la présence de ces bulles d'oxygène. L'eau peut apparaître temporairement trouble en raison de la présence de ces bulles de l'oxygène. L'eau s'éclaircit après quelques secondes.


Utilisation du Réfrigérateur à portes françaises SAMSUNG

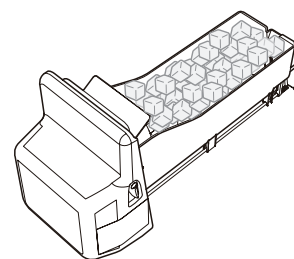
PRODUCTION DE GLACE


Utilisation normale


Pour remplir le bac à glace à la capacité maximum après installation, assurez-vous de suivre les étapes suivantes.

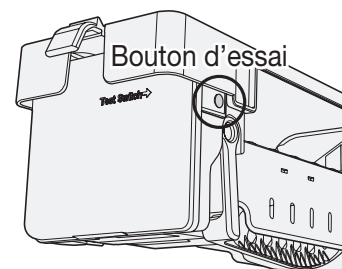
1. Laissez votre réfrigérateur refroidir pendant 24 heures (1 jour complet).
2. L'attente de 24 heures permettra à votre machine à glace de se refroidir correctement.
3. Faites couler 4 à 6 glaçons dans le verre.
4. Après 8 et 16 heures, faites couler un verre de glace complet à chaque fois.


 Lorsque toute la glace est utilisée en même temps, les étapes 3 et 4 ci-dessous doivent être répétées (avant de faire couler les 4 ou 6 premiers glaçons, veuillez attendre 8 heures). Ceci permettra de compléter le niveau des glaçons et d'assurer la production maximum de glace.

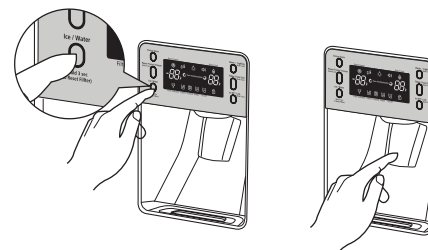


 **Bouton d'essai**
ATTENTION Si la glace ne sort pas, tirez sur le seau à glace et appuyez sur le bouton d'essai situé du côté droit de la machine à glaçons.

 Attendez 1 seconde avant d'enlever le récipient après la chute de l'eau pour éviter les éclaboussures. Ne tirez pas du levier du distributeur après prendre la glace ou l'eau. Il se rabat automatiquement. La glace est produite en glaçons. Lorsque vous sélectionnez « Pilée », la machine à glace moule les glaçons à glace pilée.



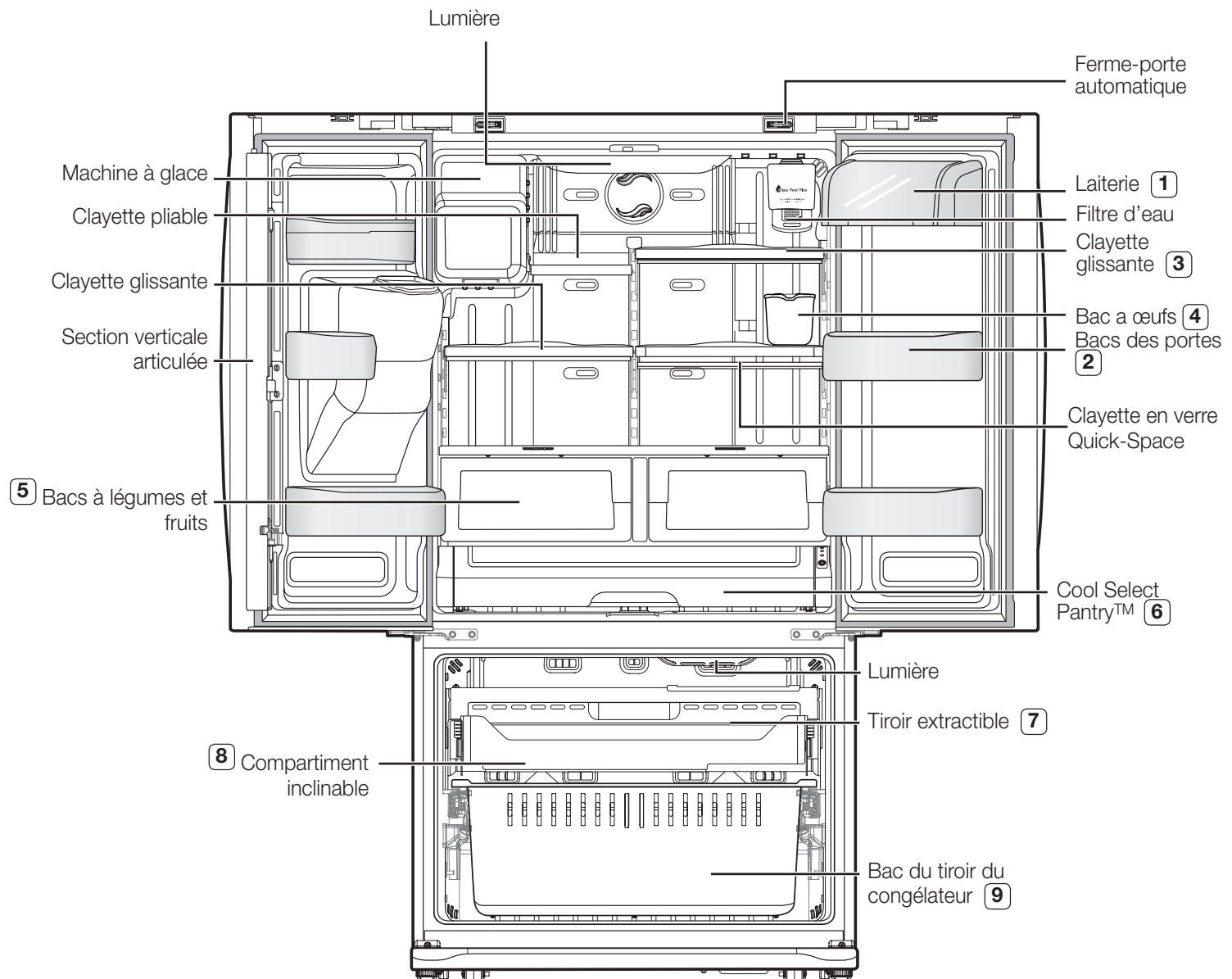
 ATTENTION Quand vous videz la glace du bac à glace, vous devez appuyer sur le levier du distributeur une fois avec la fonction « ICE CUBED » (glaçons) ou « CRUSHED » (glace pilée) en marche pour obtenir la nouvelle glace plus rapidement après avoir remis le bac à glace dans le réfrigérateur.




Utilisation du Réfrigérateur à portes françaises SAMSUNG

PIÈCES ET PARTICULARITÉS

Utilisez cette page pour vous familiariser avec les pièces et les particularités du réfrigérateur

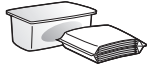

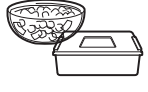






-  Quand vous fermez la porte, vérifiez que la Section verticale articulée est dans sa position correcte. Sinon, elle peut produire des éraflures sur l'autre porte.
Si la Section verticale articulée est inversée, remettez-la sur pied et fermez la porte.
De l'humidité peut apparaître sur la Section verticale articulée à cause de la chauffeuse installée dans l'articulation pour éviter l'humidité. La poignée de la porte peut relâcher au cours du temps.
Si cela arrive, serrez les boulons qui se trouvent à l'intérieur de la porte.
Une porte peut s'ouvrir si vous fermez l'autre trop fortement.

CONSERVER DES ALIMENTS


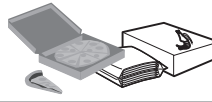

Le Réfrigérateur a portes françaises Samsung a été conçu pour fournir un maximum d'espace de stockage et de fonctions. Voici certains des compartiments personnalisés que nous avons créé pour conserver vos aliments frais plus longtemps. Dans le but de prévenir le passage d'odeurs vers le compartiment à glace, les aliments stockés doivent être enveloppés le plus hermétiquement possible.

CONSERVER DES ALIMENTS DANS LE RÉFRIGÉRATEUR


(1) LAITERIE	Vous pouvez conserver ici des petits produits laitiers, comme du beurre ou de la margarine, du yaourt ou des morceaux de fromage.	
(2) TIROIRS DES PORTES	Ils ont été conçus pour soutenir des bouteilles et des récipients larges, comme des gallons de lait.	
(3) CLAYETTES EN VERRE TREMPÉ	Conçus pour résister à la fracture, sur les clayettes vous pouvez garder toutes sortes de nourritures et de boissons. L'apparition de marques circulaires sur le verre est normale et peut être corrigée au moyen d'un chiffon humide.	
(4) BAC A ŒUFS	Le meilleur endroit pour garder les œufs. Placez le bac sur la clayette pour un accès facile.	
(5) BACS A FRUITS ET LÉGUMES	Pour préserver frais les fruits et végétaux conservés. Ce bac a été particulièrement conçu pour contrôler le niveau d'humidité intérieure. Conservez les fruits et les végétaux séparés s'il est possible.	
(6) COOL SELECT PANTRY™	Pour stocker des plateaux larges, des spécialités alimentaires, des boissons ou des objets divers.	

 Ne placez pas des objets grands sous la lampe du réfrigérateur. Il y a un capteur d'air près de la lampe, et s'il est bloqué votre réfrigérateur peut se refroidir excessivement. Placez fruits et végétaux dans leur compartiment pour éviter qu'ils gèlent. Si les aliments dans votre réfrigérateur gèlent, augmentez la température.

CONSERVER DES ALIMENTS DANS LE TIROIR DU CONGÉLATEUR

(7) RETIRER LE TIROIR	A utiliser pour ranger des viandes ou des aliments secs. Il est souhaitable d'y envelopper les aliments, avec du papier d'aluminium par exemple, ou de les garder dans des récipients.	
(8) COMPARTIMENT INCLINABLE	Peut être utilisé pour des petits paquets d'aliments gelés. Vous y pouvez même ranger une pizza de 16".	
(9) BAC DU TIROIR DU CONGÉLATEUR	Vous y pouvez conserver des viandes ou des aliments secs. Il est souhaitable d'y envelopper les aliments, avec du papier d'aluminium par exemple, ou de les garder dans des récipients.	

 Il faut garder les bouteilles serrées, de façon à ce qu'elles ne tombent ni soient renversées lorsque la porte du réfrigérateur est ouverte.

 Si vous envisagez de partir longtemps, videz le réfrigérateur et mettez-le hors tension. Nettoyez l'excès d'humidité de l'intérieur de l'appareil et laissez les portes ouvertes. Cela aidera à éviter le développement d'odeurs et de moisissure.

En marche _27

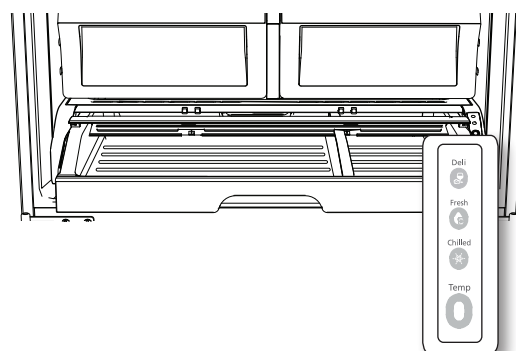
UTILISER THE COOL SELECT PANTRY™

Cool Select Pantry™ est un tiroir à largeur maximale qui compte avec un contrôle de température réglable.

Vous pouvez utiliser ce tiroir pour stocker des plateaux larges, des spécialités alimentaires, des boissons ou des objets divers.

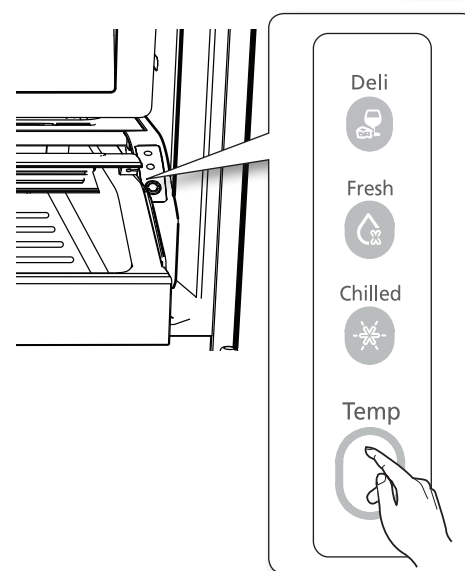
Il y a un contrôle de température qui peut ajuster la quantité d'air froid permis dans le tiroir.

Ce contrôle est placé sur le côté droit du tiroir.




Touche de sélection

1. Si « Deli » est sélectionné, la température du tiroir est d'environ 5°C. Ce réglage aide à conserver les aliments frais plus longtemps. La température du tiroir peut être maintenue sous le réglage de température recommandée (congélateur : -19°C, réfrigérateur : 3°C).
2. Si « Frais » est sélectionné, la température du tiroir est d'environ 3°C. Ce réglage aide à conserver les aliments frais pendant plus longtemps. La température du tiroir peut être maintenue sous le réglage de température recommandée (congélateur : -19°C, réfrigérateur : 3°C).
3. Si « Bien frais » est sélectionné, la température du tiroir est d'environ 1°C. Ce réglage aide aussi à conserver frais les viandes et les poissons pendant plus longtemps. La température du tiroir peut être maintenue sous le réglage de température recommandée (congélateur : -19°C, réfrigérateur : 3°C).



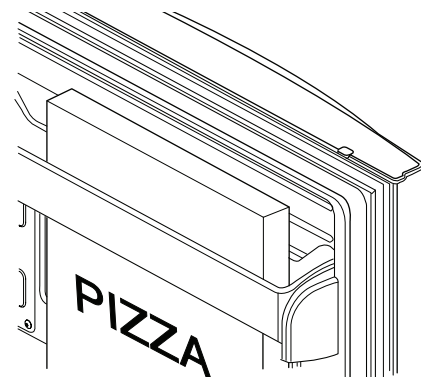
Deli	Frais	Bien frais
· ananas	· concombres	· steaks
· citron	· pommes	· fromages durs
· avocat	· oranges	· charcuterie
· pomme de terre	· raisin	· lard
	· courgettes	· saucisses
	· maïs	

 Si le mode « Bien frais » est sélectionné, les fruits et légumes peuvent en résulter défavorisés. Ne stockez pas de laitue ou d'autres légumes-feuilles dans ce tiroir.

 **ATTENTION** Ne rangez pas bouteilles en verre dans ce tiroir. Si elles gèlent, elles peuvent se briser et produire des blessures.

UTILISATION DU COMPARTIMENT INCLINABLE

Le Compartiment inclinable peut être utilisé pour conserver même une pizza de 16", comme sur l'illustration.




Utilisation du Réfrigérateur à portes françaises SAMSUNG

ENLEVER LES ACCESSOIRES DU REFRIGERATEUR

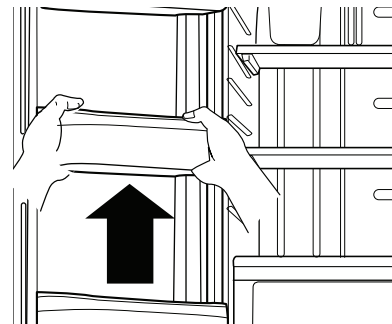
1. Balconnets et laiterie

Pour enlever - Relevez le balconnet et tirez dehors.

Pour replacer - Glissez le balconnet sur l'endroit désiré et poussez vers le bas jusqu'au fond.

 **ATTENTION** Si les balconnets ne sont pas fermement rattachés, des accidents peuvent se produire. Ne permettez pas aux enfants de jouer avec les balconnets. Les coins pointus des balconnets peuvent produire des blessures.

 N'ajustez pas un balconnet plein d'aliments.

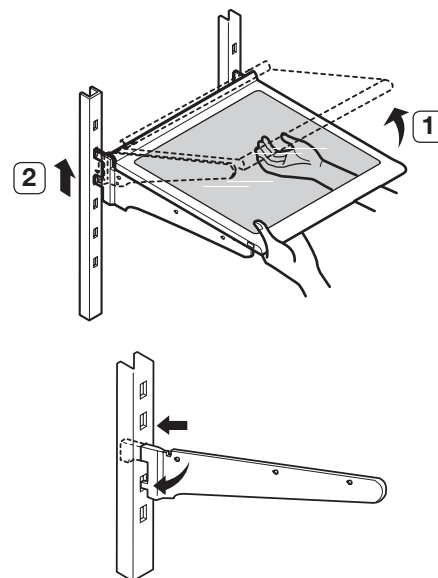


2. Clayettes en verre trempé

Pour enlever - Inclinez l'avant de la clayette en direction de (1) et relevez-la en direction de (1). Tirez la clayette dehors.

Pour replacer - Inclinez l'avant de la clayette vers le haut et guidez ses crochets dans les rainures à la hauteur désirée. Ensuite baissez l'avant de la clayette pour que les crochets tombent dans les rainures.


 **ATTENTION** Les clayettes en verre trempé sont lourdes. Faites bien attention lors de les enlever.

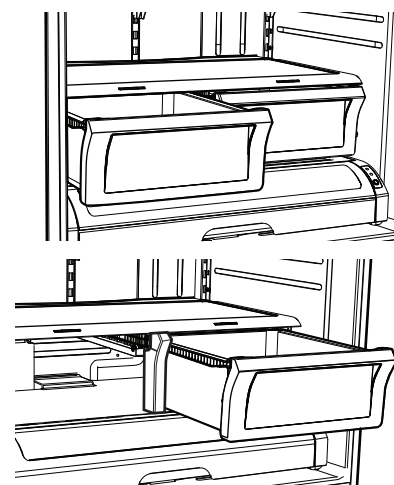


3. Bacs à fruits et légumes

Pour enlever - Tirez le bac dehors entièrement. Inclinez l'avant du bac et tirez directement.

Pour replacer - Introduisez le bac dans les glissières et enfoncez-le en place.

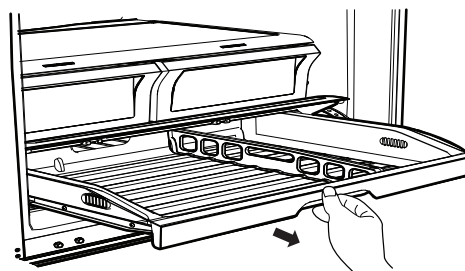
 **ATTENTION** La clayette en verre sur le bac n'est pas rattachée fermement. Soyez prudent lors de le relever. N'ouvrez pas le bac si le tiroir Cool Select Pantry™ est ouvert. Cela peut érafler ou casser sa couverture.



4. Cool Select Pantry™

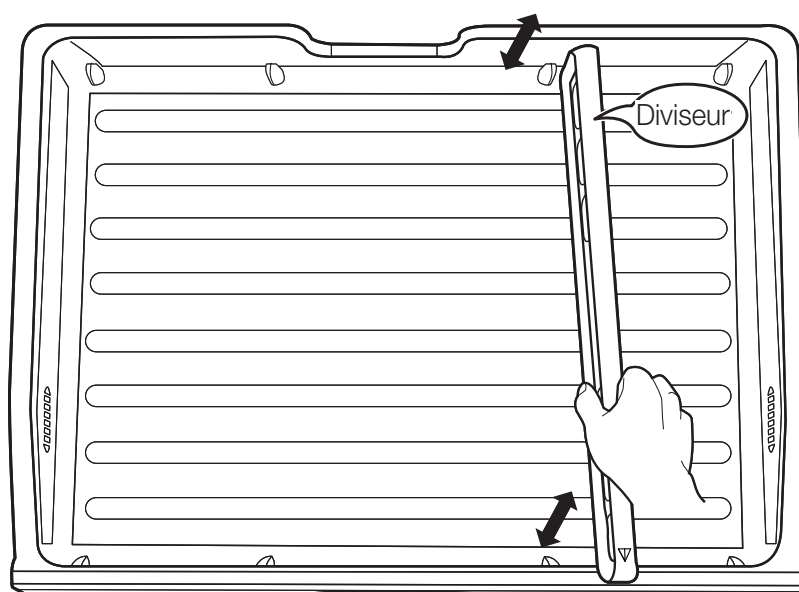
Pour enlever le tiroir - Tirez du tiroir entièrement. Inclinez l'avant du tiroir et tirez directement dehors.

Pour replacer le tiroir - Enfoncez les glissières vers l'arrière du réfrigérateur. Placez le tiroir dans les glissières et glissez le tiroir jusqu'à ce qu'il soit en place.



Pour enlever le diviseur - Tirez dehors le tiroir complètement et levez l'avant du diviseur pour le décrocher du mur arrière du tiroir, ensuite soulevez dehors le tiroir.

Pour replacer le diviseur - Accrochez l'arrière du diviseur sur le mur arrière du tiroir et tirez le diviseur vers le bas.



EMPLOYER LES PORTES

Les portes du réfrigérateur ferment entièrement et sont très bien scellées.

Si la porte du réfrigérateur est ouverte seulement en partie, elle fermera automatiquement, sauf si elle est ouverte plus de 3 pouces (7cm).

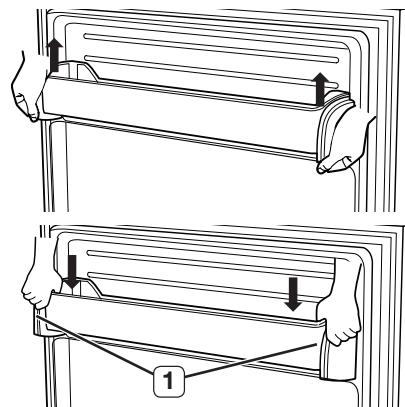
Utilisation du Réfrigérateur à portes françaises SAMSUNG

ENLEVER LES ACCESSOIRES DU CONGELATEUR

1. Compartiment inclinable

Pour enlever - Tirez des crochets (1) vers le haut jusqu'à entendre un déclic et enlevez le compartiment.

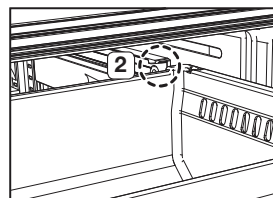
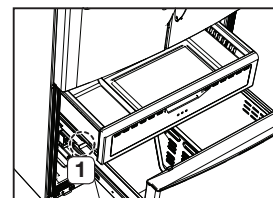
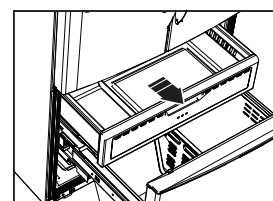
Pour replacer - Accrochez les extrêmes du compartiment dans les deux crochets (1) et poussez jusqu'à ce qu'ils enclenchent en place.



2. Tiroir extractible

Pour retirer - Tirez le tiroir à son extension complète. Relevez l'arrière du tiroir et soulevez droit vers l'extérieur.

Pour replacer - Placez le tiroir sur les rails en le relevant. Abaissez le tiroir à sa place jusqu'à ce qu'il soit horizontal et glissez le tiroir à l'intérieur.



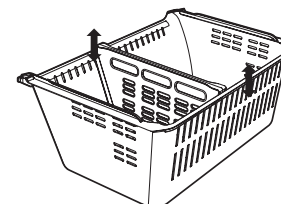
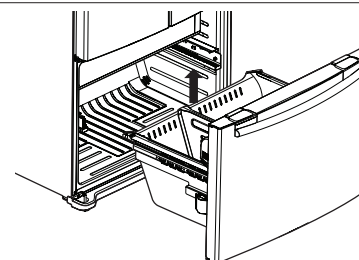
3. Bac du tiroir du congélateur

Pour enlever le tiroir - Tirez le tiroir dehors entièrement. Inclinez l'arrière du bac et relevez-le pour l'enlever.

Pour replacer le tiroir - Placez le bac dans l'assemblage des glissières.

Pour enlever le diviseur - Tirez du diviseur directement.

Pour replacer le diviseur - Accrochez les coins supérieurs du diviseur au trou du bac.

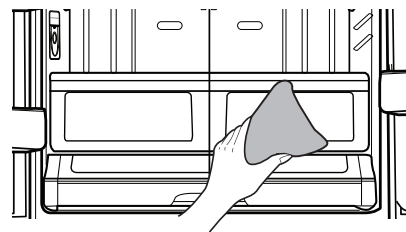


NETTOYAGE DU RÉFRIGÉRATEUR

Vos soins pour le Réfrigérateur à portes françaises Samsung prolongent la vie utile de l'appareil et aident à le conserver libre d'odeurs et de germes.

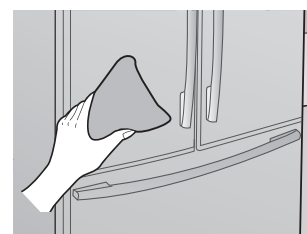
Nettoyage de l'intérieur

Nettoyez l'intérieur des murs et les accessoires avec un détergent doux et essuyez-les avec un chiffon doux. Vous pouvez enlever les tiroirs et les clayettes pour un nettoyage plus profond. Simplement, assurez-vous de sécher bien les tiroirs et les clayettes avant de les remettre en place.

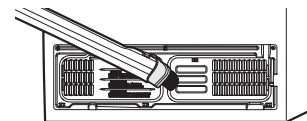


Nettoyage de l'extérieur

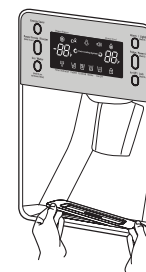
Essuyez le panneau numérique et l'affichage avec un chiffon propre et doux. Arrosez de l'eau sur le chiffon au lieu de l'arroser directement sur la surface du réfrigérateur. Cela aide à assurer une bonne distribution de l'humidité sur la surface. Les portes, les poignées et les surfaces doivent être nettoyées avec du détergent doux et ensuite essuyées avec un chiffon doux. Pour que votre appareil conserve la meilleure apparence, il faut lustrer l'extérieur une ou deux fois par an.



ATTENTION N'utilisez pas de benzène, de solvant ou de clorox pour nettoyer. Ils peuvent endommager la surface de l'appareil et produire un incendie.



ATTENTION Des lettres imprimées sur l'écran peuvent s'effacer si un agent nettoyant à acier inoxydable est appliqué sur ces lettres imprimées.

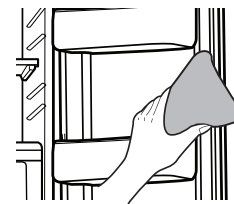


Nettoyage du distributeur de glace et eau

Poussez vers le bas l'extrême du plateau du distributeur et enlevez-le. Essuyez le Distributeur à glace et eau avec un chiffon propre et doux.

Nettoyage des joints des portes

Il est possible que le réfrigérateur ne marche pas efficacement si les joints des portes sont sales et les portes ne ferment pas correctement. Conservez les joints des portes libres de sable et de crasse en nettoyant les portes avec un détergent doux et un chiffon humide. Séchez avec un chiffon propre et doux.



ATTENTION N'arrosez pas le réfrigérateur avec de l'eau pendant qu'il est branché, puisque cela peut produire un choc électrique. Ne nettoyez pas le réfrigérateur avec du benzène, de solvant ou du détergent pour voitures à cause du risque d'incendie.

Nettoyage derrière le réfrigérateur


Pour conserver les cordes et les autres parties exposées libres de poussière et d'accumulation de saleté, aspirez derrière l'appareil une ou deux fois par an.




ATTENTION N'enlevez pas le couvercle arrière. Cela peut vous produire un choc électrique.

Utilisation du Réfrigérateur à portes françaises SAMSUNG

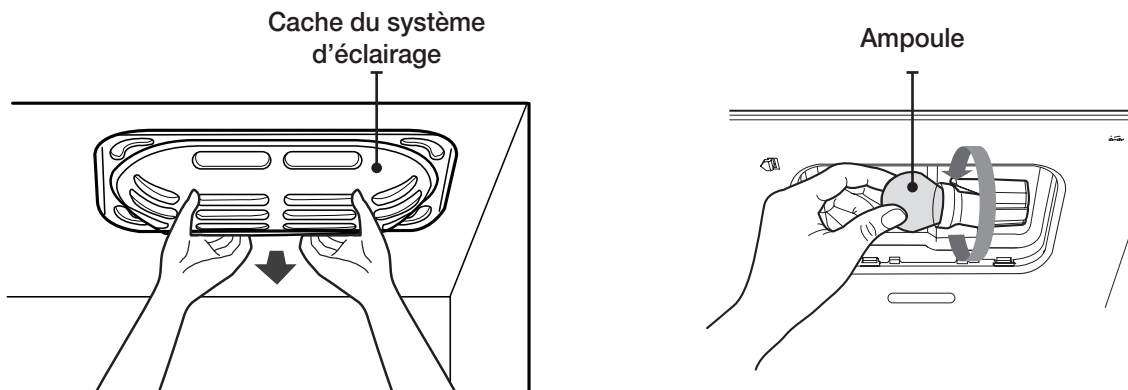
CHANGER LES AMPOULES INTÉRIEURES

ATTENTION  Avant de rien changer dans l'intérieur, mettez le réfrigérateur hors tension. Si vous avez des doutes par rapport au changement des ampoules après avoir lu ces instructions, contactez votre centre d'assistance pour obtenir de l'aide.

 Les ampoules de rechange pour congélateur sont disponibles auprès de votre quincailler ou magasin de bricolage habituel.
Utilisez une ampoule de type E26 (60 W maxi.) Les LED du réfrigérateur doivent en revanche être remplacées uniquement par un centre agréé Samsung.

Remplacer l'ampoule du tiroir congélateur

1. Débranchez l'appareil.
2. Retirez le tiroir. Reportez-vous à la rubrique « Retirer le tiroir congélateur auto » en page 31.
3. Enlevez le cache du système d'éclairage en tirant dessus.
4. Faites tourner l'ampoule dans le sens inverse des aiguilles d'une montre pour la retirer.
5. Pour remonter le tout, suivez la procédure dans le sens inverse.

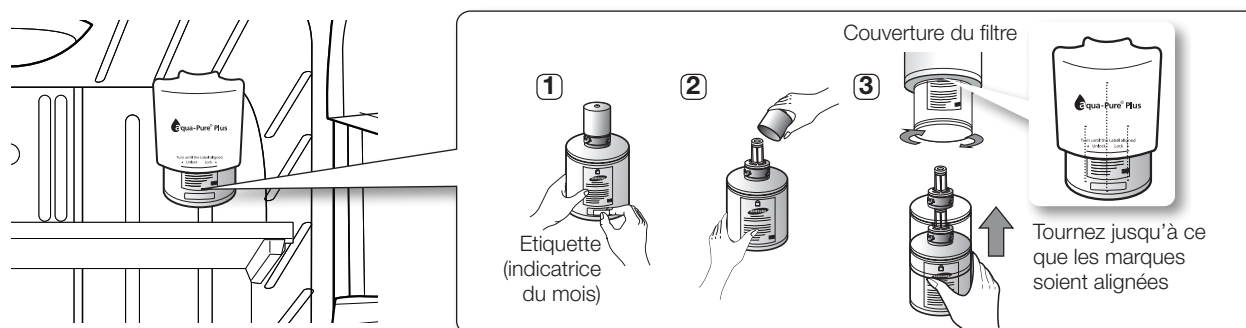


ATTENTION  N'introduisez pas les doigts dans le couvercle. L'ampoule peut être chaude.

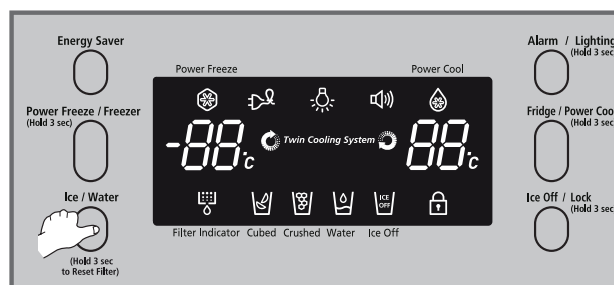
CHANGER LE FILTRE D'EAU

La lumière de l'« Indicateur du filtre » vous permet de savoir quand il est temps de changer la cartouche du filtre. Pour vous donner du temps de trouver un nouveau filtre, la lumière rouge s'allume juste avant que la capacité du filtre actuel soit dépassée. Changer le filtre à temps fait que votre réfrigérateur vous fournisse de l'eau fraîche et propre.

1. Enlevez le filtre d'eau de la boîte et collez sur le filtre une étiquette indicatrice de mois, comme il est montré. Placez sur le filtre l'étiquette correspondant à la date six mois après. Par exemple, si vous remplacez le filtre d'eau en mars, collez l'étiquette marquée « SEP » (septembre) sur le filtre pour vous souvenir de la remplacer en septembre. La durée de vie normale d'un filtre est de six mois.
2. Enlevez le capot protecteur du nouveau filtre et enlevez l'ancien filtre.
3. Positionnez et introduisez le nouveau filtre dans son compartiment. Tournez lentement le filtre d'eau en sens horaire pour l'aligner avec la marque imprimée sur le couvercle, en enclenchant sa position. Assurez-vous d'aligner la marque du filtre d'eau et le centre de l'impression sur le couvercle du filtre comme il est illustré. Ne l'oubliez pas : ne serrez pas de trop.



4. Une fois avoir complété ce processus, appuyez et maintenez pendant 3 secondes la touche Glace / Eau pour réinitialiser le calendrier du filtre.



5. Finalement, faites passer six verres pleins d'eau à travers le distributeur et jetez-les. Vérifiez que l'eau coule à nouveau claire avant de la boire.

- Vérifiez que vous purgez complètement le distributeur, sinon l'eau peut couler dehors. Cela signifie qu'il y a encore de l'air dans les tuyaux.
N'UTILISEZ PAS le distributeur d'eau et glace sans une cartouche de filtre d'eau, parce que la conduite d'eau peut en résulter bloquée.

Commander un filtre à eau de rechange

Pour obtenir un filtre à eau de rechange, vous pouvez visiter votre centre de services local ou communiquer avec le distributeur de pièces Samsung. Assurez-vous que le filtre de rechange et la boîte qui le contient portent le logo SAMSUNG.

Link : <http://www.samsungparts.com>

Utilisation du Réfrigérateur à portes françaises SAMSUNG

TABLEAU DU FILTRE À EAU

Fiche technique pour le modèle Samsung DA97-06317A Utilisation de la cartouche de recharge DA29-00003G

Ce système a été testé selon les normes NSF/ANSI 42 et 53 pour la réduction des substances énumérées ci-dessous. La concentration des substances indiquées dans l'eau entrant dans le système a été réduite à une concentration inférieure ou égale à la limite permise pour l'eau quittant le système, comme spécifié dans les normes NSF/ANSI 42 et 53.



Le système testé et certifié par NSF International selon la norme NSF/ANSI 42 pour la réduction du goût et de l'odeur de chlore, classe particulaire I, et selon la norme NSF/ANSI 53 pour la réduction de kystes, de turbidité, du plomb, d'amiante, de benzène, de carbofuranne, de p-Di chlorobenzène et de mercure.

À une capacité de 300 gallons (1 136 litres).

Notez que tandis que l'essai a été réalisé sous les conditions d'un laboratoire standard, les performances réelles peuvent varier.

Réduction de contaminant	Concentration affluante moyenne	Le NSF a spécifié les unités affluantes de concentration de défi s'appliquent à chaque rangée	% moyens de réduction	Concentration moyenne en eau de produit	Concentration permise maximale en eau de produit	Conditions de réduction NSF	Essai NSF
Goût et odeur de chlore	2,1 mg/l	2,0 mg/l ± 10%	97,6	0,05 mg/l	S.O.	> 50%	J-00029741
Dimension particulaire de la classe I : < 0,5 à < 1 µm	10 566 666 pt/ml	Au moins 10 000 particules/ml	98,4	171,833 pts/ml	S.O.	> 85%	J-00029739
Kystes*	127 500 kystes/l	Minimum 50 000 kystes/l	99,99	<1 kystes/l	S,O,	> 99,95%	J-00031000
Turbidité	10,5	11±1 NTU	98,6	0,15 NTU	0,5 NTU	> 0,5 NTU	J-00033223
Plomb à pH 6,5	153 ug/L	0,15±10%	99,3	<1ug/L	0,010 mg/L	10 ug/L	J-00039590
Plomb à pH 8,5	155 ug/L	0,15±10%	>99,4	<1ug/L	0,010 mg/L	10 ug/L	J-00039591
Mercure à pH 6,5	5,97 ug/L	0,006±10%	96,6	<0,2 ug/L	0,002 mg/L	2 ug/L	J-00039589
Mercure à pH 8,5	6,29 ug/L	0,006±10%	88,9	0,7 ug/L	0,002 mg/L	2 ug/L	J-00039586
Amiante	140 MFL	107 à 108 fibres > µm en longueur	> 99	<0,17 MFL	S,O,	99%	J-00029743
Benzène	13,88 ug/L	0,015±10%	96,4	<0,5 ug/L	0,005 mg/L	< 5 ug/L	J-0029751
Carbofuranne	79,6 ug/L	0,190 mg/L	98,7	1 ug/L	0,001 mg/L	< 40 ug/L	J-00029750
P-Di chlorobenzène	237,5 ug/L	0,225±10%	99,8	0,525 ug/L	0,075 mg/L	< 75 ug/L	J-00029749

Basé sur l'utilisation des ocysts de parvum de *Cryptosporidium*

Utilisation du Réfrigérateur à portes françaises SAMSUNG

CERTIFICATION DU FILTRE A EAU

État de Californie
Département de la santé publique

Dispositif de traitement de l'eau
Numéro de certificat

04 - 1660

Date de publication : juillet 7, 2004

Date de révision : juin 2, 2008

Marque déposée/désignation du modèle

Samsung DA61-00159A-B

Samsung DA97-06317A

Éléments de rechange

DA29-00003

DA29-00003G

Fabricant : Cuno Incorporated

Les dispositifs de traitement de l'eau énumérés sur ce certificat ont répondu aux exigences d'essai conformément au Paragraphe 116830 du code de santé et sécurité pour les contaminants relatifs à la santé suivants :

Contaminants microbiologiques et turbidité

Kystes
Turbidité

Contaminants inorganiques/radiologiques

Amiante
Plomb
Mercure

Contaminants organiques

Benzène
Carbofuranne
p-Di chlorobenzène

Capacité de service nominale : 300 gallons

Débit de service nominal : 0,5 gal/min

États de certification :

N'utilisez pas de l'eau microbiologiquement peu sûre ou de l'eau de qualité inconnue, sauf que les systèmes certifiés pour la réduction de kyste peuvent être utilisés sur les eaux désinfectées qui peuvent contenir les kystes filtrables.

ASTUCES POUR LE STOCKAGE DE NOURRITURE

Aliments	Réfrigérateur	Congélateur	Astuces de stockage
PRODUITS LAITIERS			
Beurre	2 ou 3 semaines	6 à 9 mois	Enveloppez ou couvrez soigneusement.
Lait	1 à 2 semaines	Non recommandé	Vérifiez la date. La plupart des laits et produits semblables sont vendus dans des emballages datés qui indiquent la fraîcheur maximale d'un produit. Refermez avec le couvercle ou enveloppez soigneusement. Ne retournez pas les portions inutilisées dans l'emballage d'origine.
Fromage fondu, fromage, et fromage à tartiner	2 à 4 semaines	Non recommandé	Vérifiez la date. Conservez tout le fromage soigneusement emballé dans un emballage étanche à l'humidité.
Fromage à pâte dure (non-ouvert)	3 à 4 mois	6 mois	
Fromage à pâte dure (ouvert)	2 mois	Non recommandé	
Fromage blanc	10 à 15 jours	Non recommandé	
Crème	7 à 10 jours	2 mois	Vérifiez la date. La plupart des yaourts, crèmes, et des produits semblables sont vendus dans des cartons datés qui indiquent la fraîcheur maximale d'un produit. Refermez ou couvrez soigneusement. Ne retournez pas les portions inutilisées dans l'emballage d'origine.
Crème sure	2 semaines	Non recommandé	
Crème à tremper (ouvert)	1 semaine	Non recommandé	
Yaourt	10 à 14 jours	Non recommandé	Vérifiez la date. Conservez couvert.
Yaourt surgelé	S.O.	2 mois	
ŒUFS			
Œufs (crus)	3-4 semaines	Non recommandé	Vérifiez la date. Stockez les œufs dans la zone la plus froide du réfrigérateur et dans leur récipient d'origine.
Œufs (cuits)	1 semaine	Non recommandé	Stockez dans un récipient couvert.
Plats de surplus d'œufs	3 à 4 jours	Non recommandé	Stockez dans un récipient couvert.
FRUITS FRAIS			
Pommes	1 mois	Non recommandé	Pour stocker dans le réfrigérateur, ne lavez pas le fruit avant le stockage. Stockez dans les sacs ou des récipients résistants à l'humidité. Enveloppez les fruits coupés. Certains fruits noircissent une fois réfrigérés.
Bananes	2 à 4 jours	Non recommandé	
Pêches, melons, poires, avocats	3 à 5 jours	Non recommandé	
Baies et cerises	2 à 3 jours	12 mois	
Abricots	3 à 5 jours	Non recommandé	
Raisins	2 à 5 jours	S.O.	
Ananas (non coupé)	2 à 3 jours	Non recommandé	
Ananas (coupé)	5 à 7 jours	6 à 12 mois	
Citron	1 à 2 semaines	Non recommandé	Stockez non couvert.
Jus	6 jours	Non recommandé	Vérifiez la date et refermez dans le récipient d'origine. Ne retournez pas les portions inutilisées dans l'emballage d'origine.
Jus surgelé	Dégel seulement	12 mois	Vérifier la date. Ne recongelez pas.

Utilisation du Réfrigérateur à portes françaises SAMSUNG

Aliments	Réfrigérateur	Congélateur	Astuces de stockage
POISSONS, MOLLUSQUES ET CRUSTACÉS			
Poisson			
Poisson gras (maquereau, truite, saumon)	1 à 2 jours	2 à 3 mois	Conservez dans l'emballage d'origine et stockez dans la zone la plus froide du réfrigérateur. Emballez dans un emballage à l'épreuve de la vapeur et de l'humidité pour le congélateur. Congelez à 0°F. Dégelez dans le réfrigérateur ou sous l'eau courante froide. Vérifiez la date. Congelez dans l'emballage d'origine.
Poisson maigre (morue, flet, etc.)	1 à 2 jours	6 mois	
Congelé ou pané	S.O.	3 Months	
Mollusques et crustacés			
Crevette (crue)	1 à 2 jours	12 mois	Pour congeler, emballez dans un récipient à l'épreuve de la vapeur et de l'humidité.
Crabe	3 à 5 jours	10 mois	
Poissons, mollusques ou crustacés cuits	2 à 3 jours	3 mois	
VIANDE			
Frais, cru			
Côtelettes	2 à 4 jours	6 à 12 mois	Vérifiez la date avant utilisation. Stockez dans la zone la plus froide du réfrigérateur dans l'emballage d'origine. Ajouter d'autre emballage dans le récipient à l'épreuve de l'humidité et de la vapeur pour le congeler. La température recommandée est de 33 à 36°F pour le réfrigérateur et de 0 à 2°F pour le congélateur.
Moulu	1 jour	3 à 4 mois	
Rôti	2 à 4 jours	6 à 12 mois	
Lard	1 à 2 semaines	1 à 2 mois	
Saucisse	1-2 Days	1 à 2 mois	
Bifteck	2 à 4 jours	6 à 9 mois	
Volaille	1 jour	12 mois	
Viande de déjeuner	3 à 5 jours	1 mois	
Cuit			
Viande	2 à 3 jours	2 à 3 mois	Vérifiez la date avant utilisation. Stockez dans la zone la plus froide du réfrigérateur dans l'emballage d'origine. Emballez dans un emballage à l'épreuve de la vapeur et de l'humidité pour le congélateur.
Volaille	2 à 3 jours	4 à 5 mois	
Jambon	1 à 2 semaines	1 à 2 mois	

Sources:

American Meat Institute Foundation. 1994. Pages jaunes : les réponses aux questions fréquentes des consommateurs à propos de la viande et la volaille. American Meat Institute Food Marketing Institute. 1999. The food keeper. Food Marketing Institute, Washington, D.C. Freeland-Graves, J.H. et G.C. Peckham. 1996. Foundations of food preparation, 6th ed. Prentice-Hall, Inc. Englewood Cliffs, NJ. Hillers, V.N. 1993. Storing foods at home. Washington State University Cooperative Extension, Pullman, WA. Publ. EB 1205. National Restaurant Association. 2001. Be cool-chill out! Refrigerate promptly. National Restaurant Association Education Foundation's International Food Safety Council, Washington, D.C. USDA. 1997. Basics for handling food safely. U.S. Department of Agriculture, Food Safety and Inspection Service, Washington, D.C.

Dépannage

PROBLEMES	SOLUTION
Le réfrigérateur ne marche pas du tout ou il ne refroidit pas suffisamment.	<ul style="list-style-type: none"> • Vérifiez que la corde d'alimentation est correctement branchée. • Le contrôle de température sur le panneau d'affichage est-il réglé à la température correcte? Essayez de le régler à une température plus basse. • Le réfrigérateur est-il directement sous la lumière du soleil ou est-il placé près d'une source de chaleur ? • Le mur derrière le réfrigérateur est-il trop près et donc il empêche la circulation d'air?
Les aliments dans le réfrigérateur sont gelés.	<ul style="list-style-type: none"> • Le contrôle de température sur l'affichage est-il réglé à la température correcte ? Essayez avec une température plus chaude. • La température ambiante est-elle trop froide ? • Vous avez gardé des aliments ayant un contenu d'eau très haut dans la partie la plus froide du réfrigérateur ? Essayez en passant ces objets vers le corps principal du réfrigérateur au lieu de les mettre dans le Cool Select Pantry™.
Vous sentez des bruits ou des sons inhabituels.	<ul style="list-style-type: none"> • Vérifiez que le réfrigérateur est nivelé et stable. • L'arrière du réfrigérateur est-elle trop près du mur et elle empêche la circulation d'air ? • Quelque chose est tombée derrière ou sous le réfrigérateur? • On entend un son « tic » qui vient de l'intérieur du réfrigérateur. Ce son est normal et se produit parce que les accessoires rétrécissent ou s'élargissent selon la température existante à l'intérieur du réfrigérateur.
Les coins avant et la section verticale articulée de l'appareil sont chauds et il y a de la condensation.	<ul style="list-style-type: none"> • Une certaine chaleur est normale du fait que le système anti-condensation est installé dans la section verticale articulée du réfrigérateur pour éviter la condensation. • La porte du réfrigérateur baille ? Il peut y avoir de la condensation si vous laissez longtemps la porte ouverte.
La Machine à glace ne produit pas de glace	<ul style="list-style-type: none"> • Avez-vous attendu 12 heures après installer l'arrivée d'eau avant de faire de la glace? • La conduite d'eau est connectée et le robinet de sectionnement est ouvert? • Avez-vous arrêté manuellement la fonction de production de glace? • La température du congélateur est-elle trop haute? Essayez en réglant le réfrigérateur à une température plus basse.
Vous entendez l'eau faire des bulles dans le réfrigérateur	<ul style="list-style-type: none"> • Cela est normal. Le son vient du liquide frigorigène du réfrigérateur en circulation.
Il y a une mauvaise odeur dans le réfrigérateur	<ul style="list-style-type: none"> • Vérifiez s'il y a des aliments renversés. • Il faut bien couvrir les aliments à forte odeur (le poisson, par exemple). • Nettoyez votre congélateur périodiquement et jetez les aliments renversés ou suspects.
Il y a du gèle sur les murs du congélateur.	<ul style="list-style-type: none"> • Le conduit d'air est-il bloqué? Enlevez toute obstruction pour que l'air circule librement. • Conservez de l'espace suffisant entre les aliments pour faciliter la circulation de l'air. • Le tiroir du congélateur est-il correctement fermé?
Le distributeur d'eau ne marche pas.	<ul style="list-style-type: none"> • La conduite d'eau est-elle connectée et le robinet de sectionnement ouvert? • Le tuyau de la conduite d'arrivée d'eau est cassé ou pincé ? Vérifiez que le tuyau est libre de toute obstruction. • Le réservoir d'eau est-il gelé à cause d'une température du congélateur trop basse? Essayez en sélectionnant un réglage plus chaud sur le panneau d'affichage principal.

Si un appel de service devient nécessaire

Dans le cas où un appel de service devient nécessaire, n'hésitez pas à communiquer avec le centre de service agréé Samsung le plus près de chez vous et donnez votre nom, adresse et numéro de téléphone.

Garantie

Garantie limitée de l'acheteur initial

Ce produit Samsung est garanti par SAMSUNG ELECTRONICS CANADA INC. (ci-après appelé SECA) contre tous défauts de matériaux ou de fabrication pendant les périodes précisées ci-dessous :

Main-d'œuvre : Un (1) an (à la maison)

Pièces : Un (1) an

Compresseur : 5 ans

SECA garantit également que lors du défaut de fonctionnement correct de ce produit durant la période de la garantie spécifiée, si ce manque de fonctionnement est le résultat d'une erreur de fabrication ou d'un défaut matériel, SECA réparera ou remplacera, à sa discrétion, cet appareil.

Toutes les réparations sous garantie ou remplacements de pièces doivent être effectués dans un Centre de service agréé SECA. Pour obtenir le nom et l'adresse du Centre de service agréé le plus près de chez vous, composez le 1-800-SAMSUNG (7267864) ou consultez notre site Internet au www.samsung.com/ca

Obligation de l'acheteur initial

Le reçu de vente initial doit être conservé en tant que preuve d'achat. Il doit être présenté au Centre de service agréé avant qu'un service de garantie ne soit effectué.

Pour tous les modèles portatifs, le client est responsable du transport au et à partir du Centre de service agréé.

Exclusions de la garantie

Cette garantie ne couvre pas les dommages occasionnés par un accident, un incendie, une inondation ou tout cas de force majeure, ni par une mauvaise utilisation, le branchement à une tension incorrecte, une mauvaise installation, des réparations impropres ou non autorisées, l'usage à des fins commerciales ou les dommages survenus lors du transport. Les réglages décrits dans ce manuel et effectués par le client ne sont pas couverts par cette garantie. Cette garantie s'annule automatiquement pour tout appareil dont le numéro de série a été modifié ou est manquant. La présente garantie ne couvre que les appareils achetés et utilisés au Canada.

**Samsung Electronique Canada Inc., Service à la Clientèle
55 Standish Court Mississauga, Ontario L5R 4B2
Canada**

**Customer Care Center 1-800-SAMSUNG(7267864)
Customer Care Center fax. 1-866-436-4617**

Si vous avez des suggestions ou des questions concernant les produits Samsung, veuillez contacter le Service Consommateurs Samsung.

SAMSUNG ELECTRONICS CANADA, INC.

55 STANDISH COURT MISSISSAUGA, ONTARIO L5R 4B2 CANADA

1-800-SAMSUNG (7267864)

www.samsung.com/ca

memo



Code No. DA68-01812J REV(0.0)